



Model 329

Compact Load Cell

The load cell is particularly compact in height and this makes it very versatile. This particular instrument has been designed primarily for occasional force checks, for example for setting or service work, rather than continuous loading.

The display units in 63 mm diameter size have a maximum reading pointer.

Technical Information

Model	Size	Nominal value	High-pressure hose (m)	Capillary tube (m)	Weight (kg)	Dimensions (mm)											
						øD1	øD2	øD3	øD4	H1	H2	H3	H4	H5	H6	L1	M1
329- 250 N	0	250 N	-	-	1,0	75	~34	55	63	30	3	10	14	12,5	32	77	M6
329- 400 N		400 N		-													
329- 630 N		630 N		-													
329- 1 kN		1 kN		0,5													
329- 1,6 kN		1,6 kN		-													
329- 2,5 kN		2,5 kN		-													
329- 4 kN		4 kN		1													
329- 6,3 kN		6,3 kN	-														
329- 10 kN		10 kN	-														
329- 16 kN		16 kN	1	2,5													
329- 25 kN		25 kN															
329- 40 kN		40 kN															
329- 40 kN		40 kN															
329- 63 kN		I	63 kN	1	2,5												
329- 100 kN	100 kN																
329- 100 kN	100 kN																
329- 160 kN	II	160 kN	1	2,5	5,3	145	~112,5	130	63	38	4	10	16	12,5	32	111	M8
329- 250 kN		250 kN															
329- 400 kN		400 kN															
329- 400 kN		400 kN															
329- 630 kN		630 kN															

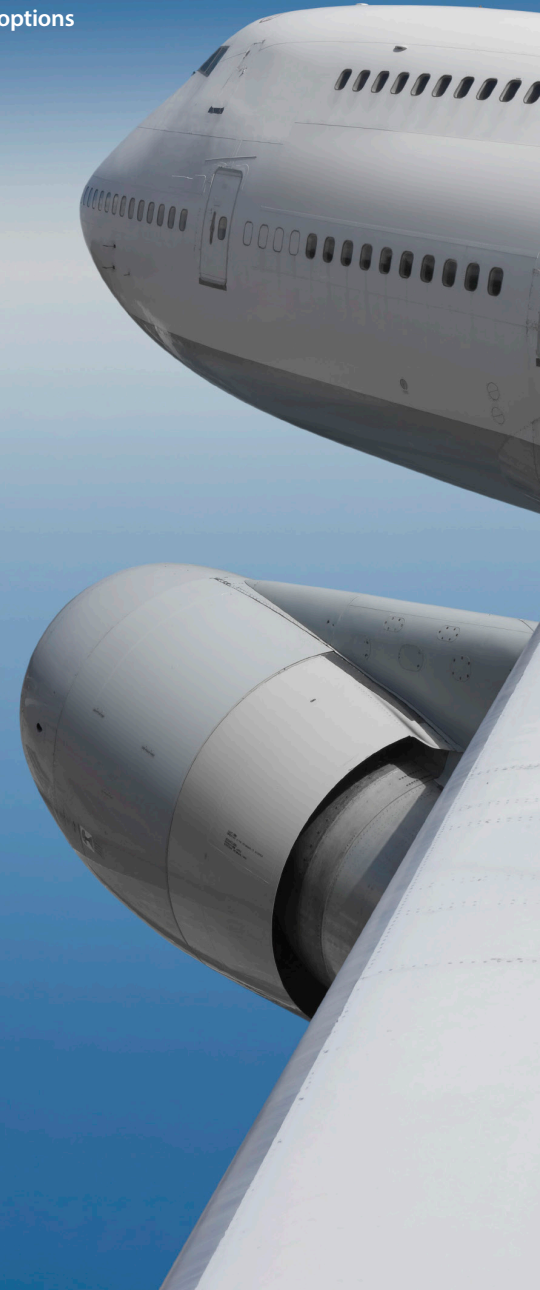
Number of borings:

2 parts each displaced by 180°

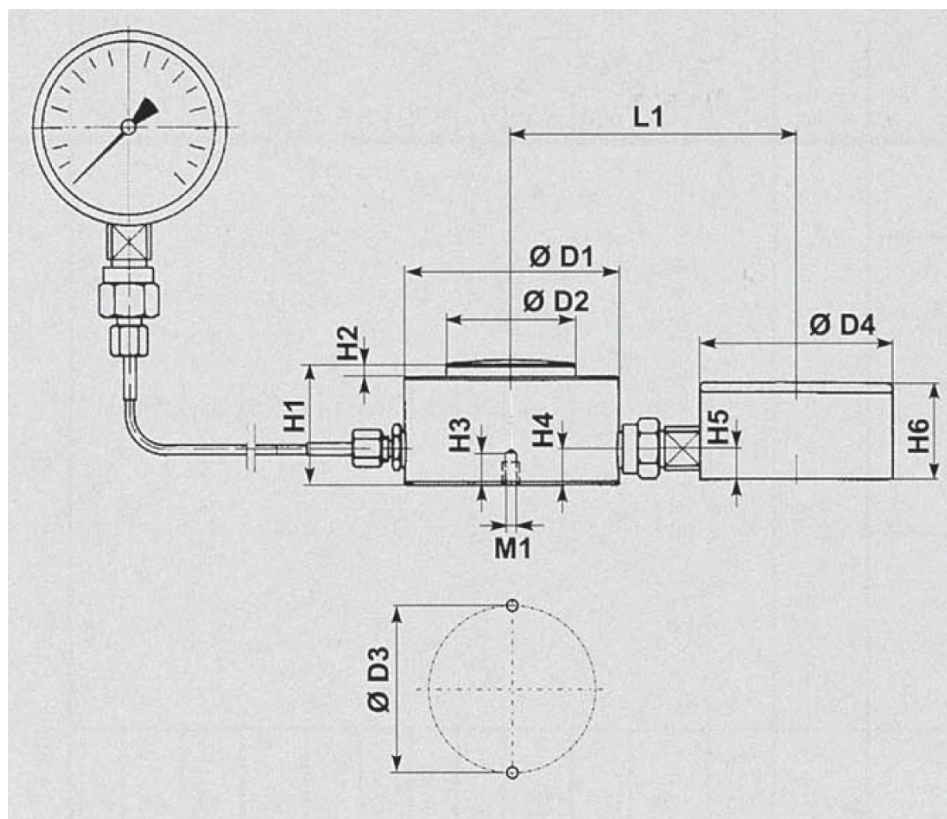
Version "B" (e.g. High-pressure hose, capillary tube, borings etc.) on request.

"A"-version; Load cell with attached display unit, without any accessories or options

"B"-version; Load cell with accessories or options



Technical Information



AMETEK Test & Calibration Instruments

8600 Somerset Drive • Largo, FL 33773 • USA • Tel +1-727-536-7831 • test@ametek.com

© 2015 AMETEK Inc.

Pub code: SS-329 Issue: 1506

Information in this document is subject to change without notice. No part of this document may be reproduced or modified in any form or by any means, electronic or mechanical, without express written permission from AMETEK Test & Calibration Instruments.

Erichsen ™
w u p p e r t a l

www.ametektest.com

AMETEK®
TEST & CALIBRATION INSTRUMENTS