



## Model 343

### Load Cell with Center Hole

Model 343, can be used wherever there is a need to fit a link through the body of the load cell. The instrument is particularly suitable for continuous measurement of axial forces for example on anchoring devices, and to monitor bearing forces that arise on lathes, boring machines, extrusion presses etc. If suitable suspension links or housings are used this load cell can also be employed to measure tension. Loads must be purely along the axis of the load cell and without torque, but for cases where it is not assured in the first instance, hinged coupling links can be provided as an option.

# Technical Information

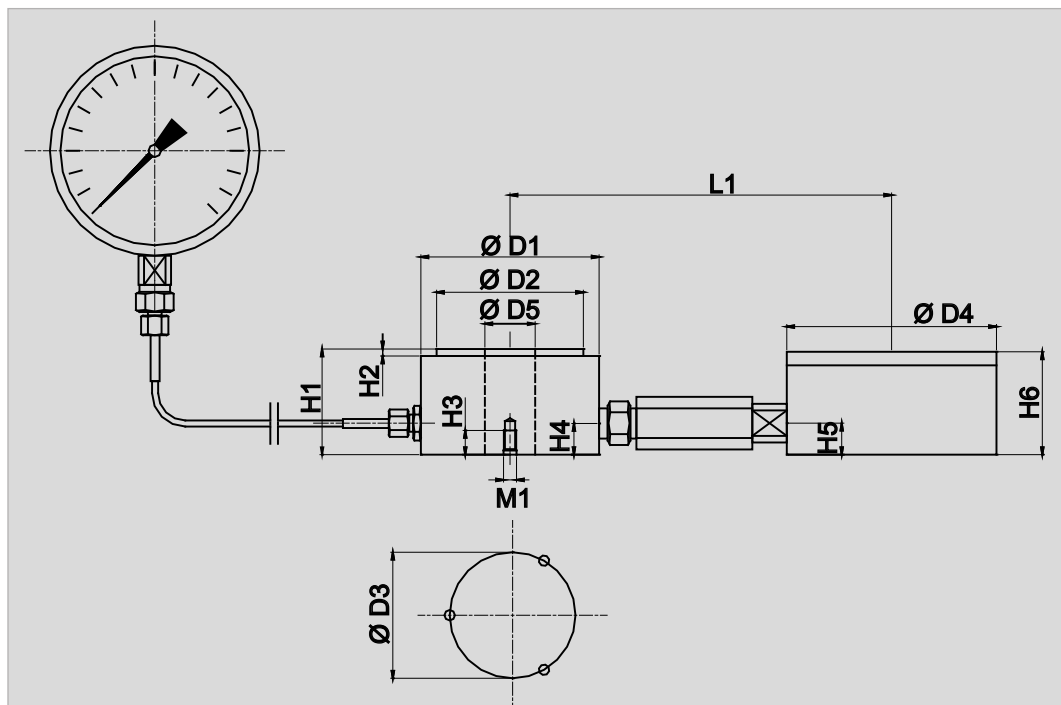
Model	Size	Nominal Value	High-pressure hose (m)	Capillary tube (m)	Weight (kg)	Dimensions (mm)																											
						øD1	øD2	øD3	øD4	øD5	H1	H2	H3	H4	H5	H6	L1	M1															
343- 1,0 kN	I	1,0 kN	0,63	1	1,9	85	70	60	100	24	50	3	12	18	15	49	182	M8															
343- 1,6 kN		1,6 kN																															
343- 2,5 kN		2,5 kN																															
343- 4 kN		4,0 kN	1,5	4																													
343- 6,3 kN		6,3 kN																															
343- 10 kN		10,0 kN																															
343- 16 kN		16,0 kN	5	10																													
343- 25 kN		25,0 kN																															
343- 40 kN		40,0 kN																															
343- 63 kN		63,0 kN																															
343- 100 kN		100,0 kN																															
343- 160 kN		160,0 kN																															
343- 4 kN		II	4,0 kN	0,63															1	4,2	120	108	85	100	40	55	3	15	18	15	49	200	M10
343- 6,3 kN			6,3 kN																														
343- 10 kN	10,0 kN																																
343- 16 kN	16,0 kN		1,5	4																													
343- 25 kN	25,0 kN																																
343- 40 kN	40,0 kN																																
343- 63 kN	63,0 kN		5	10																													
343- 100 kN	100,0 kN																																
343- 160 kN	160,0 kN																																
343- 250 kN	250,0 kN																																
343- 400 kN	400,0 kN																																
343- 10 kN	III				10,0 kN	0,63	1	15,6	190	172	150	100	68	65	3	18	22	15	49														
343- 16 kN			16,0 kN																														
343- 25 kN			25,0 kN																														
343- 40 kN		40,0 kN	1,5	4																													
343- 63 kN		63,0 kN																															
343- 100 kN		100,0 kN																															
343- 160 kN		160,0 kN	5	10																													
343- 250 kN		250,0 kN																															
343- 400 kN		400,0 kN																															
343- 630 kN		630,0 kN																															
343- 1 MN		1,0 MN																															
343- 25 kN		IIII			25,0 kN	0,63	1													29,0	300	278	150	100	120	65	3	18	22	15	49	290	M16
343- 40 kN			40,0 kN																														
343- 63 kN			63,0 kN																														
343- 100 kN	100,0 kN		1,5	4																													
343- 160 kN	160,0 kN																																
343- 250 kN	250,0 kN																																
343- 400 kN	400,0 kN		5	10																													
343- 630 kN	630,0 kN																																
343- 1 MN	1,0 MN																																
343- 1,6 MN	1,6 MN																																

Number of borings:  
Options, 3 parts, each displaced by 120°

"A"-version; Load cell with attached display unit, without any accessories or options  
"B"-version; Load cell with accessories or options



# Technical Information



**AMETEK Sensors, Test & Calibration Instruments**  
8600 Somerset Drive • Largo, FL 33773 • USA • Tel +1-727-536-7831 • test@ametek.com

**Erichsen** <sup>TM</sup>  
wuppertal

[www.ametektest.com](http://www.ametektest.com)

© 2017 AMETEK Inc.

Pub code: SS-343 Issue: 1703

Information in this document is subject to change without notice. No part of this document may be reproduced or modified in any form or by any means, electronic or mechanical, without express written permission from AMETEK Sensors, Test & Calibration Instruments.

**AMETEK**<sup>®</sup>  
SENSORS. TEST & CALIBRATION