

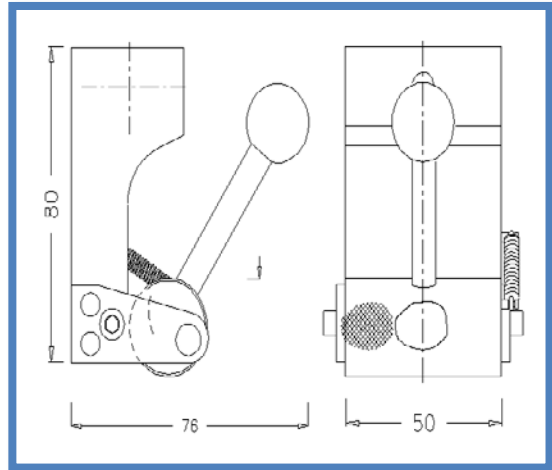
Eccentric Roller Grips

A self tightening eccentric roller grips, the grip tightens as the sample is pulled
Ideal for all types of flat samples, rubber, plastic film, plastic dumbbells, paper and cardboard, sheet metal and foils

Aluminium Anodized
Temperature ranges 0 - +130 °C
(Other temperature on request)

Part Number	Description	Sample Thickness	Rating	Fixing	Weight
01/4184	Eccentric roller grip with crosscut faces 50mm wide	0 - 7mm	1kN	5/8 inch	509g

Dimensions	
Width	50mm
Height	80mm
Depth	76mm (including handle)



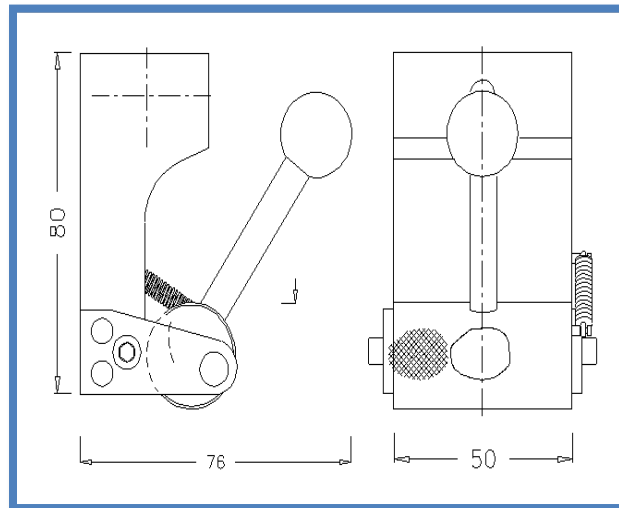
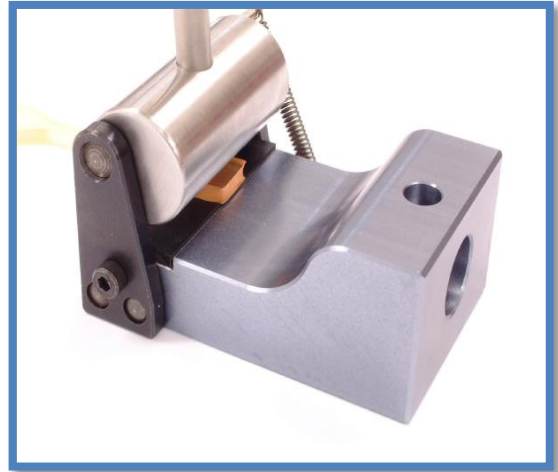
Eccentric Roller Grips

A range of self tightening eccentric roller grips, the grip tightens as the sample is pulled
Ideal for all types of flat samples, rubber, plastic film, paper and cardboard and foils

Aluminium Anodized
Temperature ranges 0 - +70 °C (restricted due to rubber faces)

Part Number	Description	Sample Thickness	Rating	Fixing	Weight
01/4185	Eccentric roller grip with plain roller and rubber lined grip body 50mm wide	0 – 7mm	1Kn	5/8 inch	509g

Dimensions	
Width	50mm
Height	80mm
Depth	76mm (including handle)



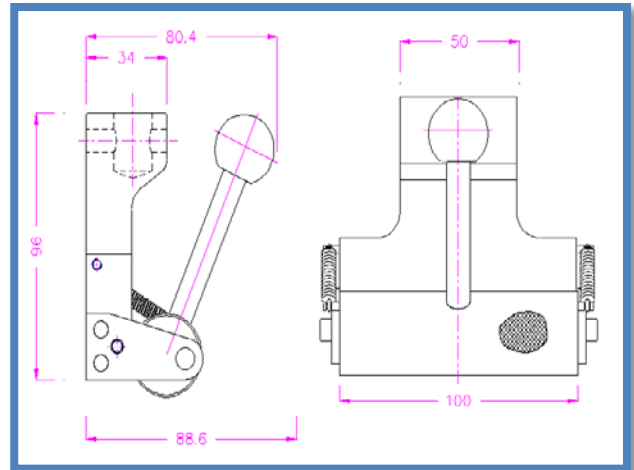
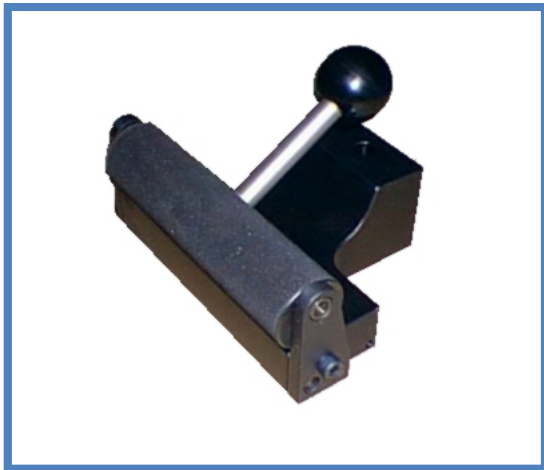
Eccentric Roller Grips

A self tightening eccentric roller grips, the grip tightens as the sample is pulled
Ideal for all types of flat samples, rubber, plastic film, plastic dumbbells, paper and cardboard, sheet metal and foils

Aluminium Anodized
Temperature ranges 0 - +130 °C
(Other temperature on request)

Part Number	Description	Sample Thickness	Rating	Fixing	Weight
01/4186	Eccentric roller grip with crosscut faces 100mm wide	0 – 7mm	5kN	5/8 inch	500g

Dimensions	
Width	100mm
Height	96mm
Depth	89mm (including handle)



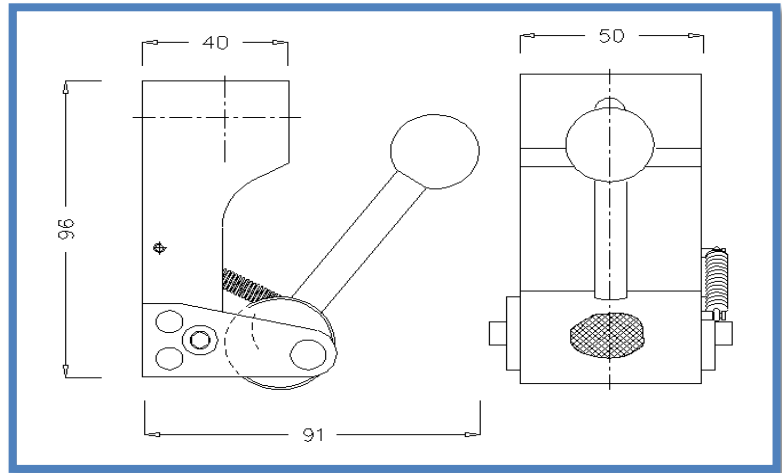
Eccentric Roller Grips

A self tightening eccentric roller grips, the grip tightens as the sample is pulled
Ideal for all types of flat samples, rubber, plastic film, plastic dumbbells, paper and cardboard, sheet metal and foils

Aluminium Anodized
Temperature ranges 0 - +130 °C
(Other temperature on request)

Part Number	Description	Sample Thickness	Rating	Fixing	Weight
01/4187	Eccentric roller grip with crosscut faces 50mm wide	0 – 7mm	5kN	5/8 inch	667g

Dimensions	
Width	50mm
Height	96mm
Depth	91mm (including handle)



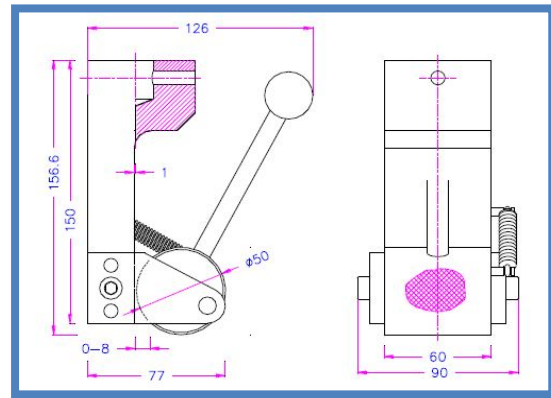
Eccentric Roller Grips

A self tightening eccentric roller grips, the grip tightens as the sample is pulled
Ideal for all types of flat samples, rubber, plastic film, plastic dumbbells, paper and cardboard, sheet metal and foils

Aluminium Anodized
Temperature ranges 0 - +130 °C
(Other temperature on request)

Part Number	Description	Sample Thickness	Rating	Fixing	Weight
01/4188	Eccentric roller grip with crosscut faces 60mm wide	0 – 8mm	10kN	5/8 inch	900g

Dimensions	
Width	90mm
Height	157mm
Depth	126mm (including handle)



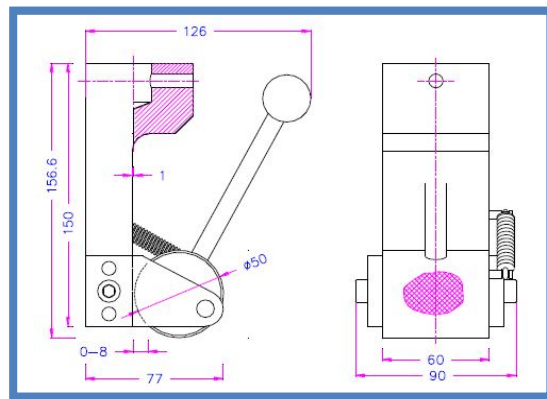
Eccentric Roller Grips

A self tightening eccentric roller grips, the grip tightens as the sample is pulled
Ideal for all types of flat samples, rubber, plastic film, plastic dumbbells, paper and cardboard, sheet metal and foils
The 01/4189 is fitted with a sample alignment device to ensure samples are always fitted correctly by the operator

Aluminium Anodized
Temperature ranges 0 - +130 °C
(Other temperature on request)

Part Number	Description	Sample Thickness	Rating	Fixing	Weight
01/4189	Eccentric roller grip with crosscut faces 60mm wide and sample centering device	0 – 8mm	10kN	5/8 inch	900g

Dimensions	
Width	90mm
Height	157mm
Depth	126mm (including handle)



Eccentric Roller Grips

A self tightening eccentric roller grips, the grip tightens as the sample is pulled
Ideal for all types of flat samples, rubber, plastic film, plastic dumbbells, paper and cardboard, sheet metal and foils
The 01/4190 has dual rollers for symmetrical gripping of the sample

Aluminium Anodized
Temperature ranges 0 - +130 °C
(Other temperature on request)

Part Number	Description	Sample Thickness	Rating	Fixing	Weight
01/4190	Eccentric dual roller grip 30mm x 50mm	0 – 7mm	5kN	5/8 inch	1.1Kg

