

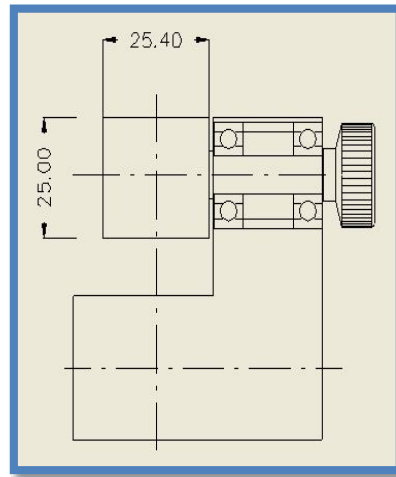
Peel and Friction Grips

Single roller peel fixture for mounting adhesive tape rolls, use in conjunction with a vice grip to peel the sample at 90 degrees to the roll

Aluminium Anodized and Steel
Temperature ranges 0 - +130 °C
(Other temperature on request)

Other variations available on request

Part Number	Description	Quantity	Rating	Fixing
01/4738	Peeling drum 25mm diameter	Single	1kN	5/8 inch



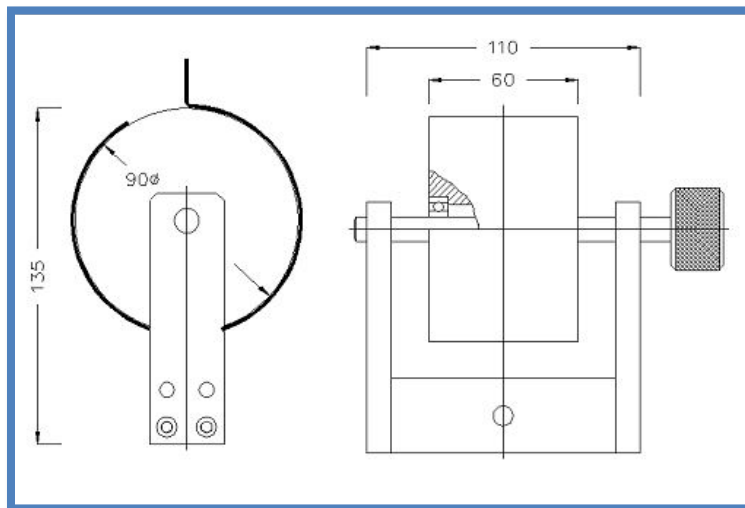
Peel and Friction Grips

A grip designed for peeling samples at 90 Degrees Applicable standard DIN53289

Aluminium Anodized and Steel
Temperature ranges 0 - +130 °C
(Other temperature on request)

Other variations available on request

Part Number	Description	Quantity	Rating	Fixing
01/4739	Peeling drum 90mm diameter	Single	10kN	5/8 inch



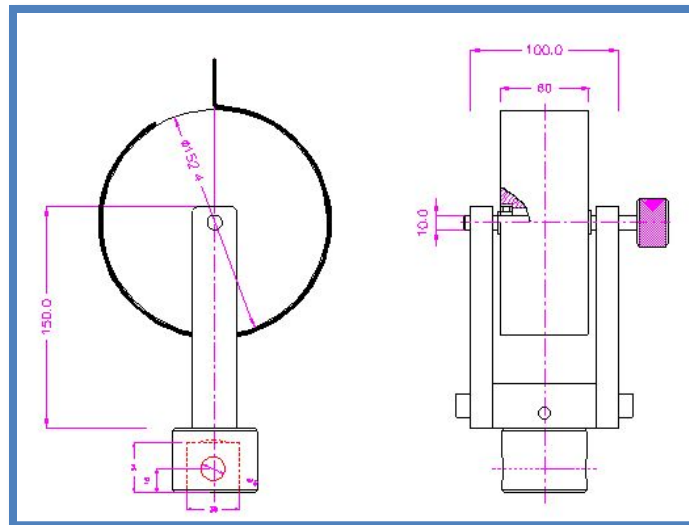
Peel and Friction Grips

A grip designed for peeling samples at 90 degrees

Aluminium Anodized and Steel
Temperature ranges 0 - +130 °C
(Other temperature on request)

Other variations available on request

Part Number	Description	Quantity	Rating	Fixing
01/4740	Peeling drum 152mm diameter	Single	1kN	5/8 inch



Peel and Friction Grips

A rolling drum peel grip with sample clamp to DIN-53357

Aluminium Anodized and Steel
Temperature ranges 0 - +130 °C
(Other temperature on request)

Other variations available on request

Part Number	Description	Quantity	Rating	Fixing
01/4741	Peeling drum 90mm diameter, with sample clamp	Single	1kN	5/8 inch



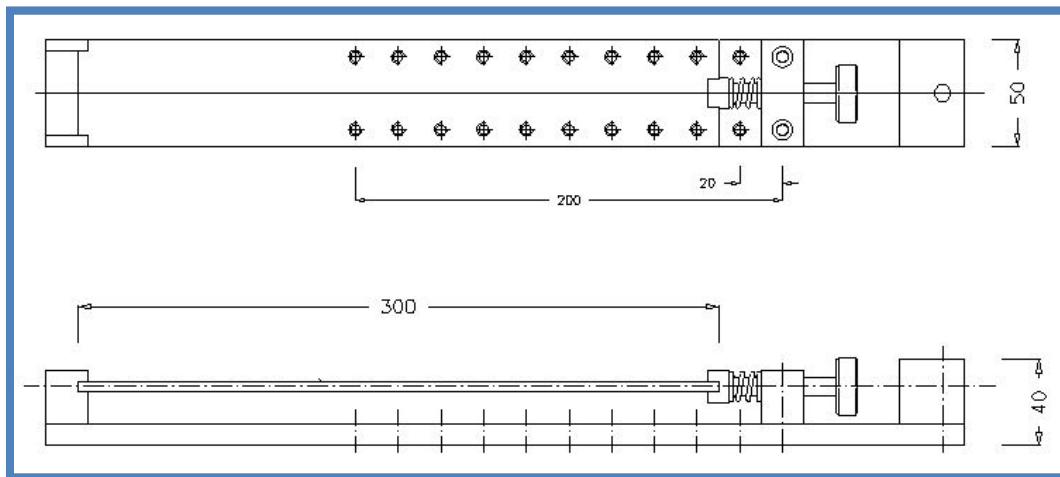
Peel and Friction Grips

A 180 degree peeling fixture with a removable plate to mount samples, other plate designs and material are available

Aluminium Anodized and Steel
Temperature ranges 0 - +130 °C
(Other temperature on request)

Other variations available on request

Part Number	Description	Quantity	Rating	Fixing
01/4742	180° peeling plate, 300mm long 50mm wide	Single	1kN	5/8 inch



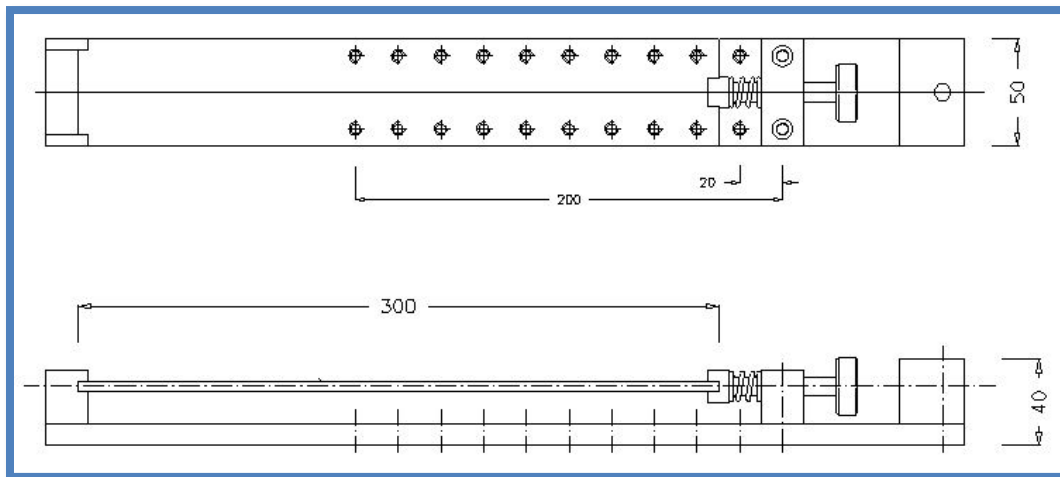
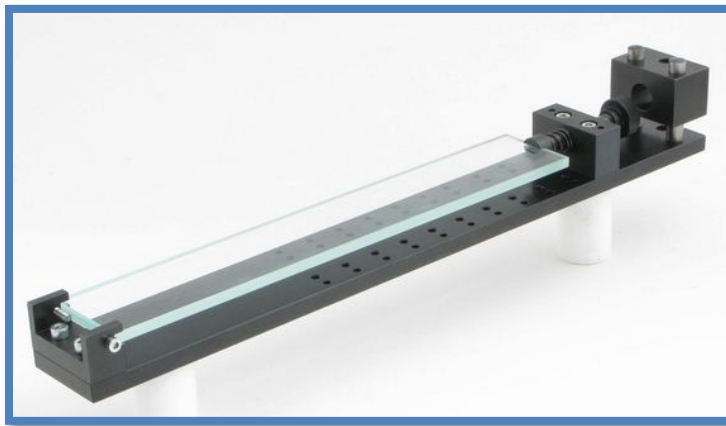
Peel and Friction Grips

A 180 degree peeling fixture with a removable glass plate to mount samples, other plate designs and material are available

Aluminium Anodized and Glass
Temperature ranges 0 - +130 °C
(Other temperature on request)

Other variations available on request

Part Number	Description	Quantity	Rating	Fixing
01/4742	180° peeling plate, 300mm long 50mm wide	Single	1kN	5/8 inch



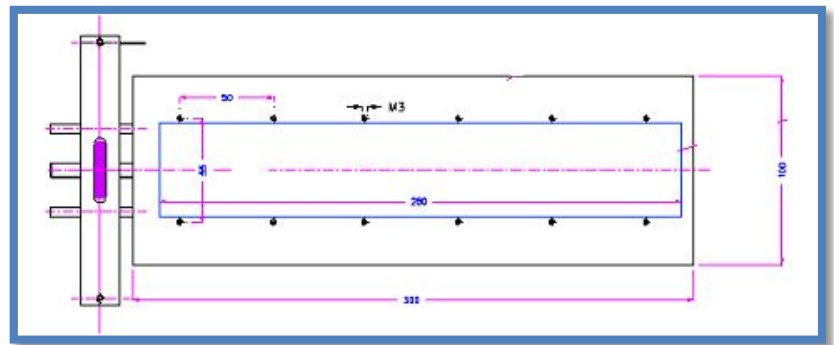
Peel and Friction Grips

A 90 degree peeling table that slides during the test to align the sample, supplied with crosshead fixing bar and guide wire, suitable for ASTM B751 and ASTM D2861

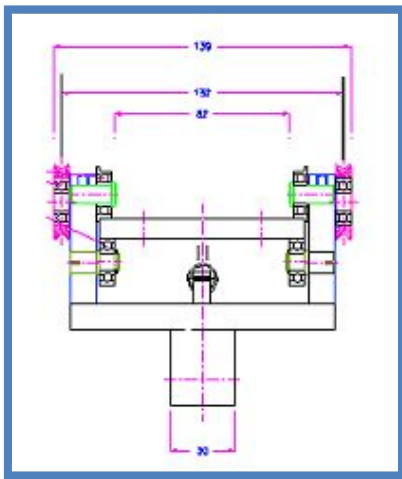
Aluminium Anodized and Steel
Temperature ranges 0 - +130 °C
(Other temperature on request)

Other variations available on request

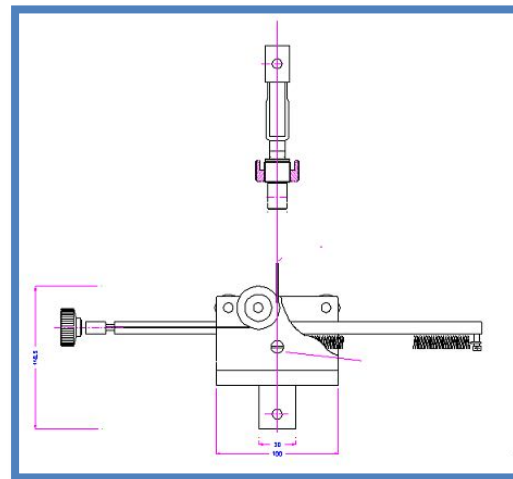
Part Number	Description	Quantity	Rating	Fixing
01/4744	90° sliding peel table 50mm x 250mm	Single	1kN	5/8 inch



Top view of table showing sample location



End view of table showing roller bearings



Side view of table

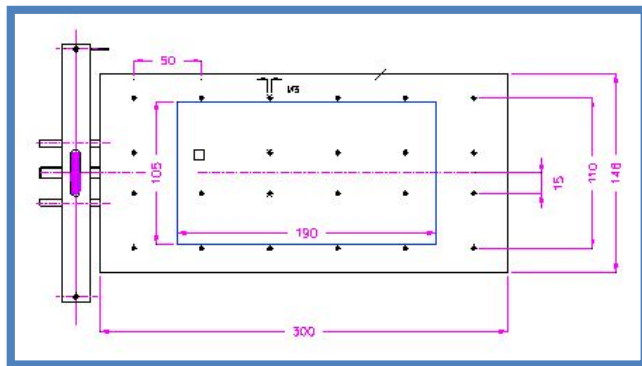
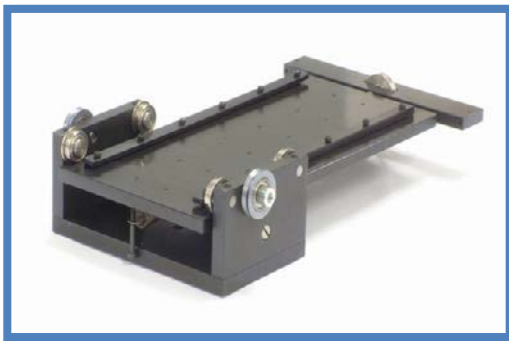
Peel and Friction Grips

A 90 degree peeling table that slides during the test to align the sample, supplied with crosshead fixing bar and guide wire, suitable for ASTM B751 and ASTM D2861

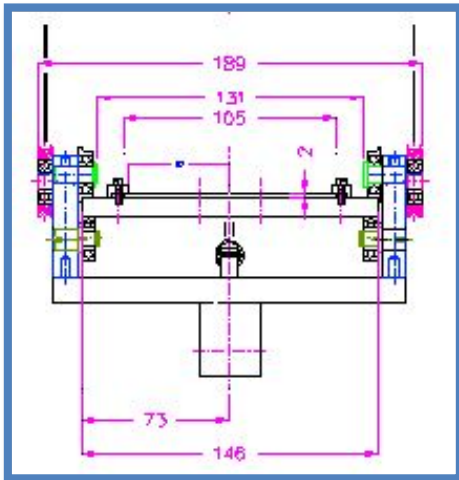
Aluminium Anodized and Steel
Temperature ranges 0 - +130 °C
(Other temperature on request)

Other variations available on request

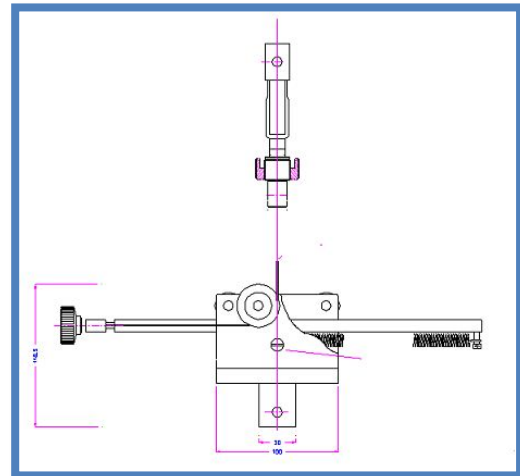
Part Number	Description	Quantity	Rating	Fixing
01/4744	90° sliding peel table 130mm x 250mm	Single	1kN	5/8 inch



Top view of table showing sample location



End view of table showing roller bearings



Side view of table

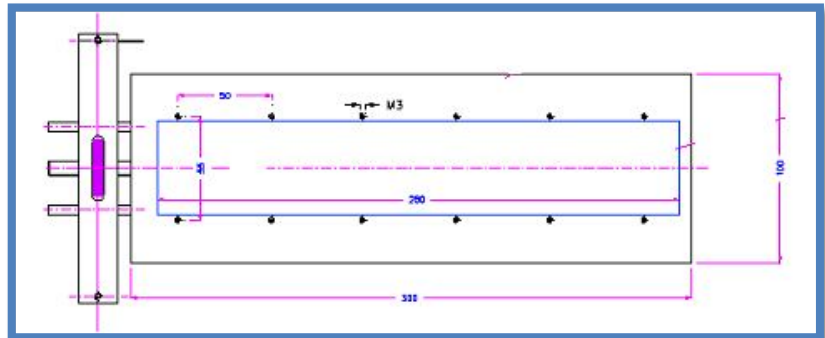
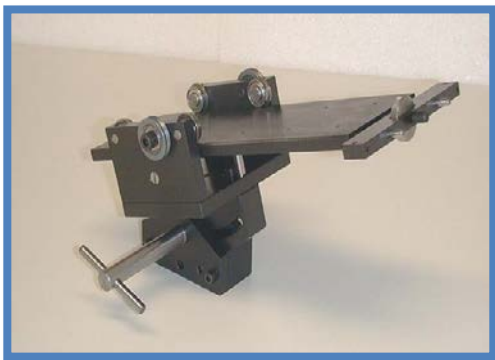
Peel and Friction Grips

A 90 degree peeling table that slides during the test to align the sample and is also capable of adjusting the angle of peel from 0 to 30 degrees from the vertical pull, supplied with crosshead fixing bar and guide wire, suitable for ASTM B751 and ASTM D2861

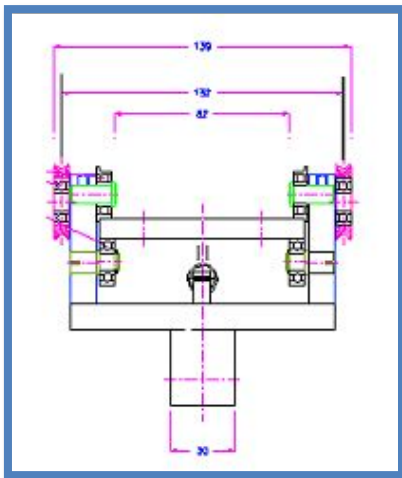
Aluminium Anodized and Steel
Temperature ranges 0 - +130 °C
(Other temperature on request)

Other variations available on request

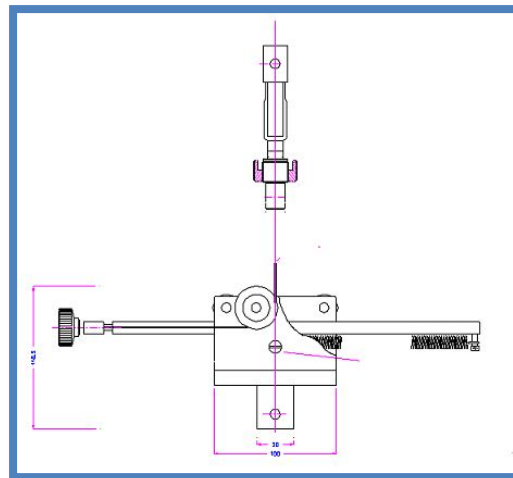
Part Number	Description	Quantity	Rating	Fixing
01/4744	90° sliding peel table 50mm x 250mm	Single	1kN	5/8 inch



Top view of table showing sample location



End view of table showing roller bearings



Side view of table

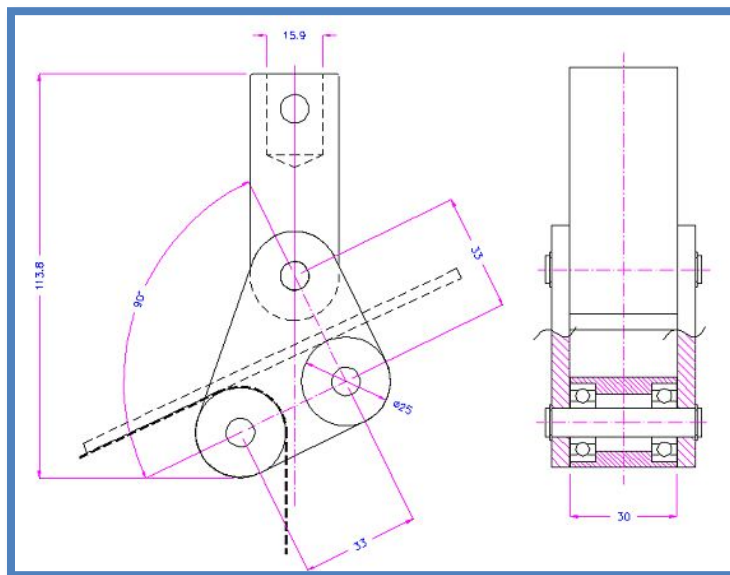
Peel and Friction Grips

A peeling fixture to EN1464, DIN53289 and ISO4578

Aluminium Anodized and Steel
Temperature ranges 0 - +130 °C
(Other temperature on request)

Other variations available on request

Part Number	Description	Quantity	Rating	Fixing	Weight
01/4747	Dual roller peeling fixture, 25mm diameter, 30mm wide	Single	10kN	5/8 inch	750g



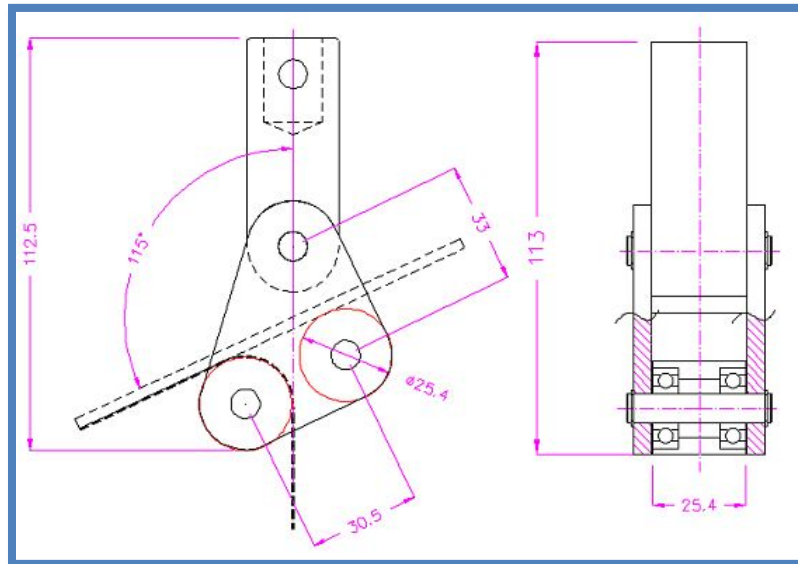
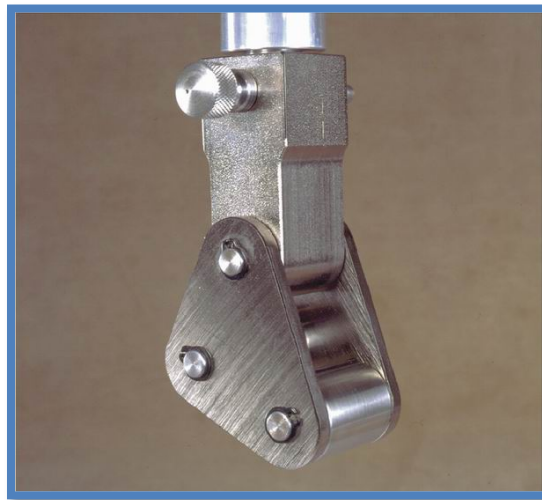
Peel and Friction Grips

A peeling fixture to ASTM D3167

Aluminium Anodized and Steel
Temperature ranges 0 - +130 °C
(Other temperature on request)

Other variations available on request

Part Number	Description	Quantity	Rating	Fixing
01/4748	Dual roller peeling fixture, 25.4mm diameter, 25.4mm wide	Single	10kN	5/8 inch



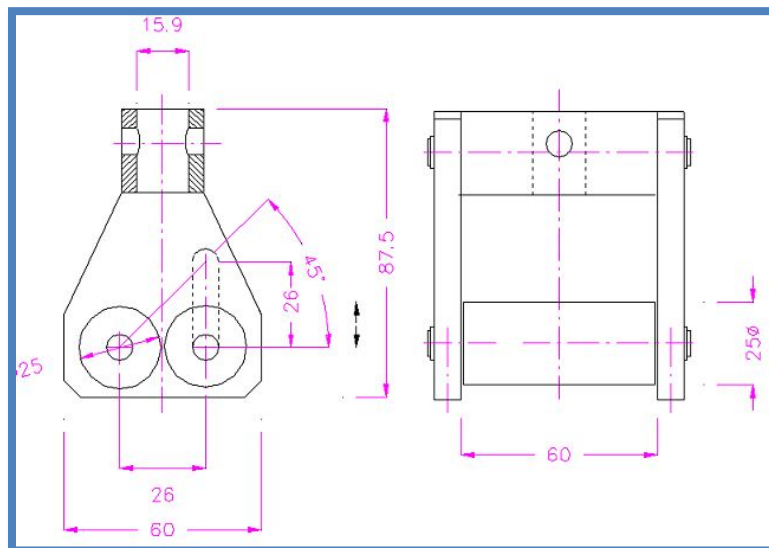
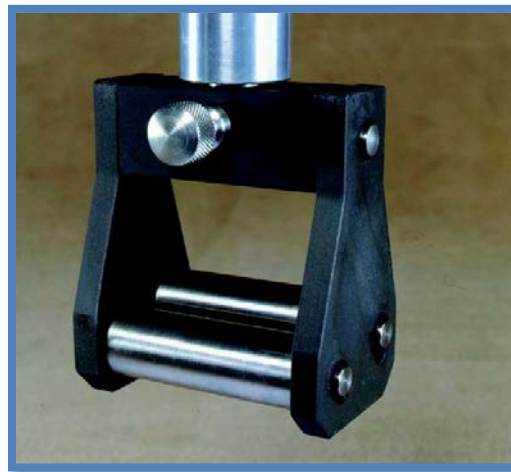
Peel and Friction Grips

General purpose two roller peeling grip

Aluminium Anodized and Steel
Temperature ranges 0 - +130 °C
(Other temperature on request)

Other variations available on request

Part Number	Description	Quantity	Rating	Fixing
01/4749	Dual roller peeling fixture, 20mm diameter, 60mm wide	Single	10kN	5/8 inch



Peel and Friction Grips

General purpose two roller peeling grip, one roller adjustable

Aluminium Anodized and Steel
Temperature ranges 0 - +130 °C
(Other temperature on request)

Other variations available on request

Part Number	Description	Quantity	Rating	Fixing
01/4750	Dual roller peeling fixture, 20mm diameter, 30mm wide, adjustable width	Single	10kN	5/8 inch

