

# Vice Grips

## Manual operated vice grips

A small U-Shaped vice grip suitable for low force tensile and peel testing, grip has 8mm female eye end and should be ordered with a 01/4220 adaptor to fit to 5/8 inch machine eye ends. Faces can be adjusted from both sides using the thumb screw

A pneumatic version of this grip is available

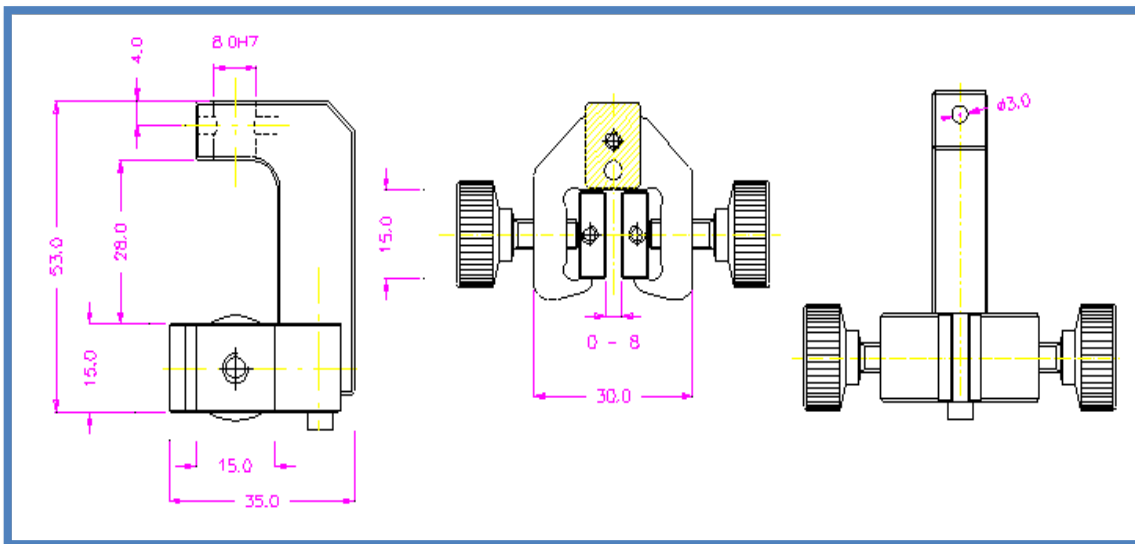
Aluminium anodized

Temperature range 0 – to +130° C

Part Number	Description	Sample Thickness	Weight	Rating	Fixing
01/4215	Vice grip with crosscut jaw faces, 15mm x 15mm U shaped design	0 – 8mm	63g	100N	8mm

### Face Options

Part Number	Description	Quantity
01/4217	15mm x 15mm plain jaw set	Set of 4
01/4218	15mm x 15mm rubber jaw set	Set of 4
01/4219	15mm x 15mm crosscut jaw set	Set of 4
01/4220	8mm male to 5/8 inch female adaptor for 01/4215 and 01/4216	Single





# Vice Grips

## Manual operated vice grips

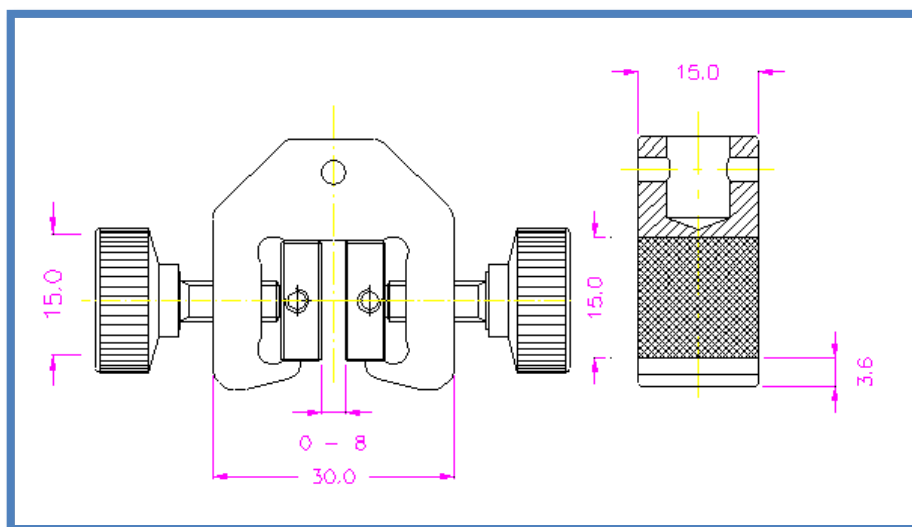
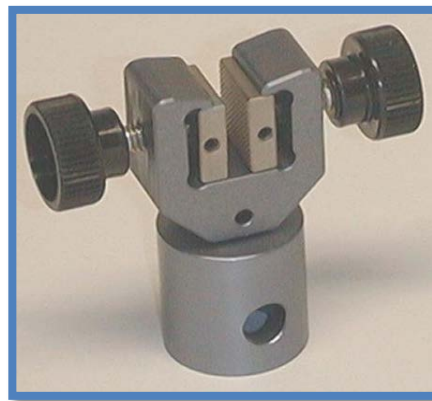
A small vice grip suitable for low force tensile and peel testing, grip has 8mm female eye end and should be ordered with a 01/4220 adaptor to fit to 5/8 inch machine eye ends. Faces can be adjusted from both sides using the thumb screw

Aluminium anodized  
Temperature range 0 – to +130° C

Part Number	Description	Sample Thickness	Weight	Rating	Fixing
01/4216	Vice grip with crosscut jaw faces 15mm x 15mm, inline design	0 – 8mm	43g	100N	8mm

Part Number	Description	Quantity
01/4217	15mm x 15mm plain jaw set for 01/4215 and 01/4216	Set of 4
01/4218	15mm x 15mm rubber jaw set for 01/4215 and 01/4216	Set of 4
01/4219	15mm x 15mm crosscut jaw set for 01/4215 and 01/4216	Set of 4
01/4220	8mm male to 5/8 inch female adaptor for 01/4215 and 01/4216	Single

Grip shown with 01/4220 adaptor



# Vice Grips

## Manual operated vice grips

A vice grips with manual tightening action by thumb screw grips are dual action

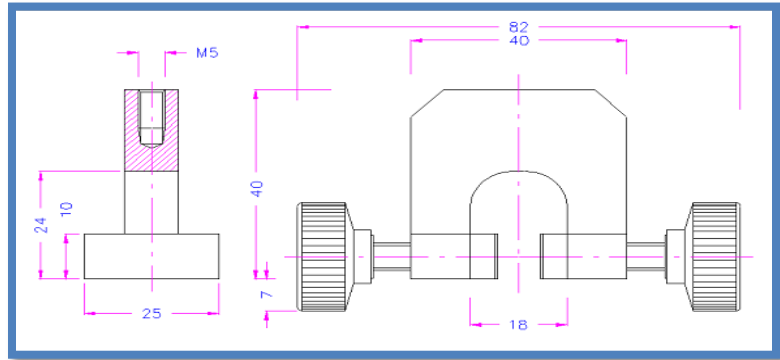
Ideal for paper, thin film and general tensile and peeling applications where forces are low

Aluminium anodized  
Temperature range 0 – to +130° C

Part Number	Description	Quantity	Weight	Rating	Fixing
01/4221	Vice grip, 0 – 8mm opening, without faces, use ADT/0239/00 for 5/8 inch	Pair	60g	100N	M5 F

### Face Options

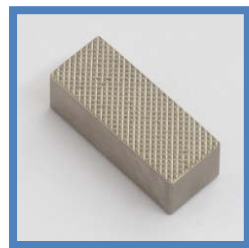
Part Number	Description	Quantity	Rating	Weight
01/4223	10mm x 25mm plain jaw faces	Set of 4	100N	18g
01/4224	10mm x 25mm rubber jaw faces	Set of 4	100N	19g
01/4225	10mm x 25mm crosscut jaw faces	Set of 4	100N	17g
01/4226	10mm x 25mm diamond jaw faces	Set of 4	100N	18g
01/4227	10mm x 50mm plain jaw faces	Set of 4	100N	46g
01/4228	10mm x 50mm rubber jaw faces	Set of 4	100N	48g
01/4229	10mm x 50mm crosscut jaw faces	Set of 4	100N	43g
01/4230	10mm x 50mm diamond jaw faces	Set of 4	100N	46g
01/4231	10mm x 100mm plain jaw faces	Set of 4	100N	92g
01/4232	10mm x 100mm rubber jaw faces	Set of 4	100N	95g
01/4233	10mm x 100mm crosscut jaw faces	Set of 4	100N	86g
01/4784	10mm x 100mm diamond jaw faces	Set of 4	100N	92g



Blank Jaws  
Suitable for own treatment  
No coating



Rubber Jaws  
1mm NBR rubber  
Nickel plated



Crosscut Jaws  
0.8 x 45° crosscut  
Hardened 58HRC



Diamond Jaws  
Synthetic diamond coated  
Nickel plated

# Vice Grips

## Manual operated vice grips

A vice grips with manual tightening action by thumb screw grips are dual action

Ideal for holding large sample where low force is required such as lid peel applications

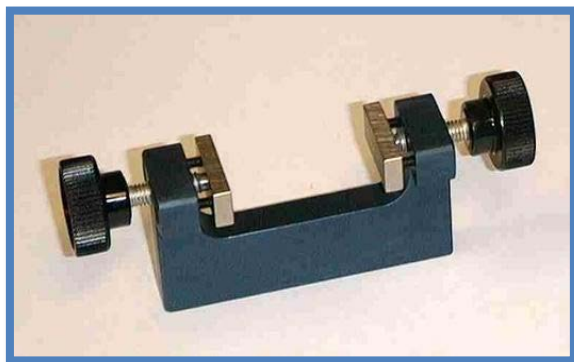
Aluminium anodized

Temperature range 0 – to +130° C

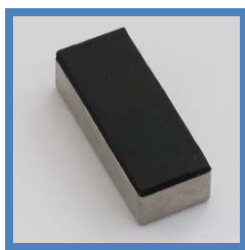
Part Number	Description	Quantity	Weight	Rating	Fixing
01/4222	Vice grip, 0 – 46mm opening without faces, use ADT/0239/00 for 5/8 inch	Pair	89g	100N	M5 F

## Face Options

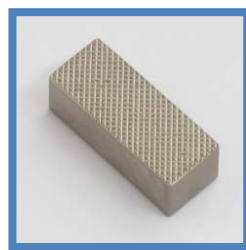
Part Number	Description	Quantity	Rating	Weight
01/4223	10mm x 25mm plain jaw faces	Set of 4	100N	18g
01/4224	10mm x 25mm rubber jaw faces	Set of 4	100N	19g
01/4225	10mm x 25mm crosscut jaw faces	Set of 4	100N	17g
01/4226	10mm x 25mm diamond jaw faces	Set of 4	100N	18g
01/4227	10mm x 50mm plain jaw faces	Set of 4	100N	46g
01/4228	10mm x 50mm rubber jaw faces	Set of 4	100N	48g
01/4229	10mm x 50mm crosscut jaw faces	Set of 4	100N	43g
01/4230	10mm x 50mm diamond jaw faces	Set of 4	100N	46g
01/4231	10mm x 100mm plain jaw faces	Set of 4	100N	92g
01/4232	10mm x 100mm rubber jaw faces	Set of 4	100N	95g
01/4233	10mm x 100mm crosscut jaw faces	Set of 4	100N	86g
01/4784	10mm x 100mm diamond jaw faces	Set of 4	100N	92g



Blank Jaws  
Suitable for own treatment  
No coating



Rubber Jaws  
1mm NBR rubber  
Nickel plated



Crosscut Jaws  
0.8 x 45° crosscut  
Hardened 58HRC



Diamond Jaws  
Synthetic diamond  
Nickel plated

# Vice Grips

## Manual operated vice grips

A range of vice grips with manual tightening action either by thumb screw or T-bar, grips are single action or dual action and allow for offset sample alignment for shear testing  
Ideal for all types of flat samples, rubber, plastic film, plastic dumbbells, paper and cardboard, sheet metal, foils, wood, fabrics and composites (depends on rating)

Aluminium

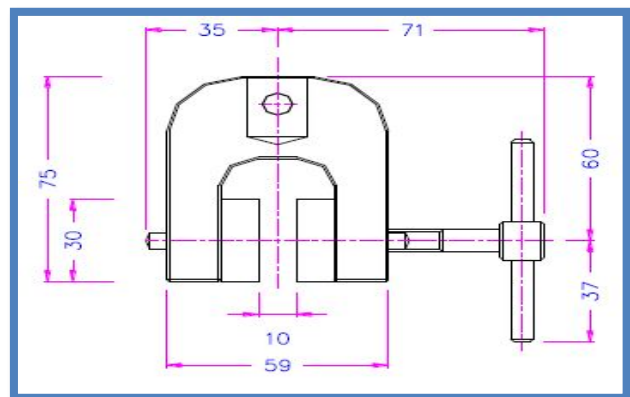
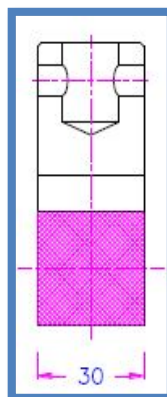
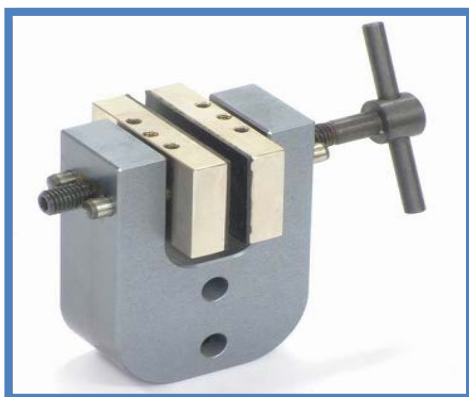
Temperature range 0 – to +180° C

Pneumatic versions available

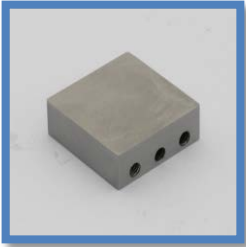
Part Number	Description	Quantity	Weight	Rating	Fixing
01/4234	Vice grip, 0 – 10mm opening without faces	Pair	290g	2.5kN	5/8 inch

### Face Options

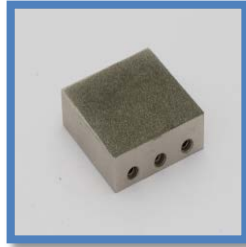
Part Number	Description	Quantity	Rating	Weight
01/4238	30mm x 30mm plain jaw faces	Set of 4	2.5kN	130g
01/4239	30mm x 30mm rubber jaw faces	Set of 4	2.5kN	130g
01/4240	30mm x 30mm crosscut jaw faces	Set of 4	2.5kN	120g
01/4241	30mm x 30mm V-notch jaw faces samples 2mm – 9mm diameter	Set of 4	2.5kN	120g
01/4242	30mm x 30mm V-notch jaw faces samples 3mm – 9mm diameter	Set of 4	2.5kN	130g
01/4243	30mm x 30mm wave jaw faces	Set of 4	2.5kN	120g
01/4244	30mm x 30mm diamond jaw faces	Set of 4	2.5kN	130g
01/4245	30mm x 50mm plain jaw faces	Set of 4	2.5kN	220g
01/4246	30mm x 50mm rubber jaw faces	Set of 4	2.5kN	230g
01/4247	30mm x 50mm crosscut jaw faces	Set of 4	2.5kN	210g
01/4248	30mm x 50mm wave jaw faces	Set of 4	2.5kN	200g
01/4249	30mm x 50mm diamond jaw faces	Set of 4	2.5kN	220g
01/4250	30mm x 80mm plain jaw faces	Set of 4	2.5kN	360g
01/4251	30mm x 80mm rubber jaw faces	Set of 4	2.5kN	370g
01/4252	30mm x 80mm crosscut jaw faces	Set of 4	2.5kN	350g
01/4253	30mm x 80mm wave jaw faces	Set of 4	2.5kN	320g
01/4254	30mm x 80mm diamond jaw faces	Set of 4	2.5kN	360g
01/4255	30mm x 100mm plain jaw faces	Set of 4	2.5kN	450g
01/4256	30mm x 100mm rubber jaw faces	Set of 4	2.5kN	460g
01/4257	30mm x 100mm crosscut jaw faces	Set of 4	2.5kN	450g
01/4258	30mm x 100mm wave jaw faces	Set of 4	2.5kN	510g
01/4259	30mm x 100mm diamond jaw faces	Set of 4	2.5kN	450g
01/4260	Carrier quick fit backing to enable quick jaw face changes	Set of 2	2.5kN	120g
01/4261	30mm x 36mm plain jaw faces for use with 01/4260	Set of 4	2.5kN	50g
01/4262	30mm x 36mm rubber jaw faces for use with 01/4260	Set of 4	2.5kN	60g
01/4263	30mm x 36mm crosscut jaw faces for use with 01/4260	Set of 4	2.5kN	50g
01/4264	30mm x 36mm diamond jaw faces for use with 01/4260	Set of 4	2.5kN	50g



Various Face Option for 01/4234



Plain Faces –steel  
Suitable for own treatment



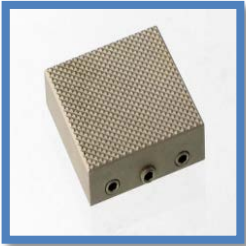
Diamond Faces  
Synthetic diamond coated



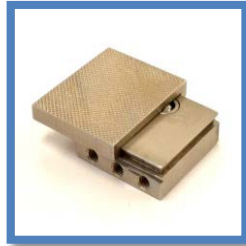
Wave Faces  
5mm wave  
Hardened steel 58HRC



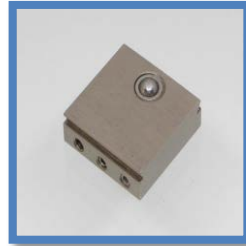
Rubber Faces  
1mm NBR rubber



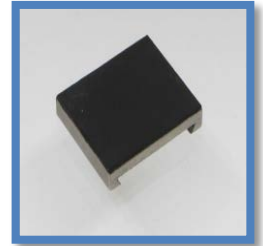
Crosscut Faces  
1.2 x 45° pitch  
Hardened steel 58 HRC



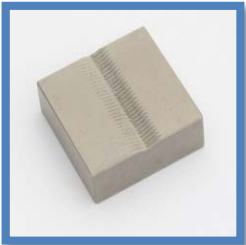
Carrier 01/4260  
Fitted with plain jaw



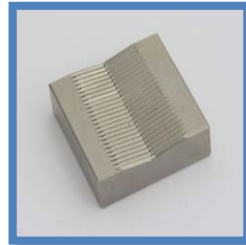
Carrier 01/4260



Rubber Faces  
1mm NBR rubber



V-notch Faces  
1.2mm pitch  
Tempered steel 58HRC



V-notch Faces  
1.2mm pitch  
Tempered steel 58HRC

# Vice Grips

## Manual operated vice grips

A vice grip with manual tightening action either by thumb screw or T-bar, grips are dual action and allow for offset sample alignment for shear testing

Ideal for all types of flat samples, rubber, plastic film, plastic dumbbells, paper and cardboard, sheet metal, foils, wood, fabrics and composites (depends on rating)

Aluminium

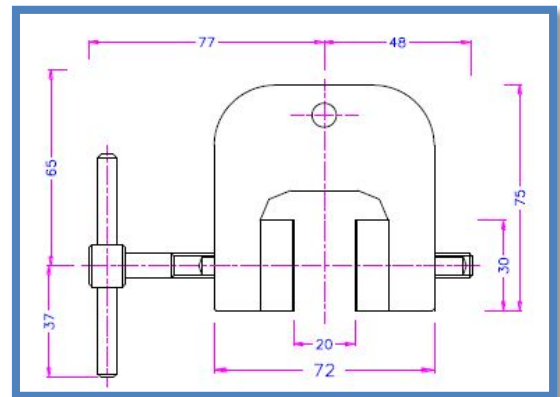
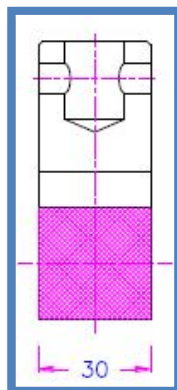
Temperature range 0 – to +180° C

Pneumatic versions available

Part Number	Description	Quantity	Weight	Rating	Fixing
01/4235	Vice grip, 0 – 20mm opening without faces	Pair	330g	1kN	5/8 inch

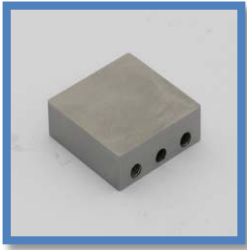
### Face Options

Part Number	Description	Quantity	Rating	Weight
01/4238	30mm x 30mm plain jaw faces	Set of 4	2.5kN	130g
01/4239	30mm x 30mm rubber jaw faces	Set of 4	2.5kN	130g
01/4240	30mm x 30mm crosscut jaw faces	Set of 4	2.5kN	120g
01/4241	30mm x 30mm V-notch jaw faces samples 2mm – 20mm diameter	Set of 4	2.5kN	120g
01/4242	30mm x 30mm V-notch jaw faces samples 3mm – 20mm diameter	Set of 4	2.5kN	130g
01/4243	30mm x 30mm wave jaw faces	Set of 4	2.5kN	120g
01/4244	30mm x 30mm diamond jaw faces	Set of 4	2.5kN	130g
01/4245	30mm x 50mm plain jaw faces	Set of 4	2.5kN	220g
01/4246	30mm x 50mm rubber jaw faces	Set of 4	2.5kN	230g
01/4247	30mm x 50mm crosscut jaw faces	Set of 4	2.5kN	210g
01/4248	30mm x 50mm wave jaw faces	Set of 4	2.5kN	200g
01/4249	30mm x 50mm diamond jaw faces	Set of 4	2.5kN	220g
01/4250	30mm x 80mm plain jaw faces	Set of 4	2.5kN	360g
01/4251	30mm x 80mm rubber jaw faces	Set of 4	2.5kN	370g
01/4252	30mm x 80mm crosscut jaw faces	Set of 4	2.5kN	350g
01/4253	30mm x 80mm wave jaw faces	Set of 4	2.5kN	320g
01/4254	30mm x 80mm diamond jaw faces	Set of 4	2.5kN	360g
01/4255	30mm x 100mm plain jaw faces	Set of 4	2.5kN	450g
01/4256	30mm x 100mm rubber jaw faces	Set of 4	2.5kN	460g
01/4257	30mm x 100mm crosscut jaw faces	Set of 4	2.5kN	450g
01/4258	30mm x 100mm wave jaw faces	Set of 4	2.5kN	510g
01/4259	30mm x 100mm diamond jaw faces	Set of 4	2.5kN	450g
01/4260	Carrier quick fit backing to enable quick jaw face changes	Set of 2	2.5kN	120g
01/4261	30mm x 36mm plain jaw faces for use with 01/4260	Set of 4	2.5kN	50g
01/4262	30mm x 36mm rubber jaw faces for use with 01/4260	Set of 4	2.5kN	60g
01/4263	30mm x 36mm crosscut jaw faces for use with 01/4260	Set of 4	2.5kN	50g
01/4264	30mm x 36mm diamond jaw faces for use with 01/4260	Set of 4	2.5kN	50g

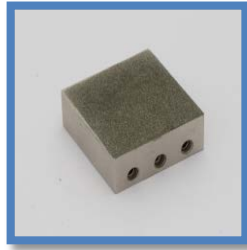




Face Option for 01/4236



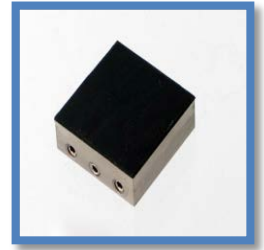
Plain Faces -steel  
Suitable for own treatment



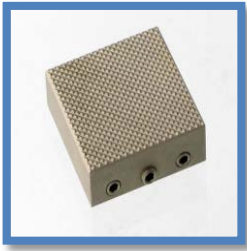
Diamond Faces  
Synthetic diamond coated



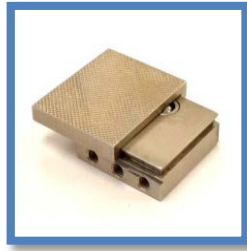
Wave Faces  
5mm wave  
Hardened steel 58HRC



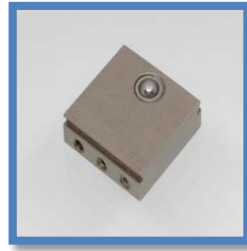
Rubber Faces  
1mm NBR rubber



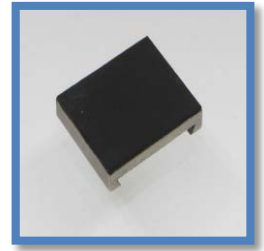
Crosscut Faces  
1.2 x 45° pitch  
Hardened steel 58 HRC



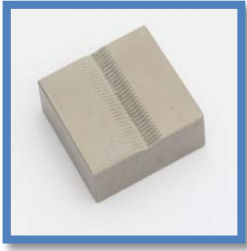
Carrier 01/4260  
Fitted with plain jaw



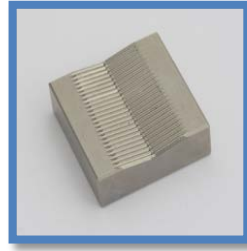
Carrier 01/4260



Rubber Faces  
1mm NBR rubber



V-notch Faces  
1.2mm pitch  
Tempered steel 58HRC



V-notch Faces  
1.2mm pitch  
Tempered steel 58HRC

# Vice Grips

## Manual operated vice grips

A vice grip with manual tightening action either by thumb screw or T-bar, grips are dual action and allow for offset sample alignment for shear testing

Ideal for all types of flat samples, rubber, plastic film, plastic dumbbells, paper and cardboard, sheet metal, foils, wood, fabrics and composites (depends on rating)

Aluminium

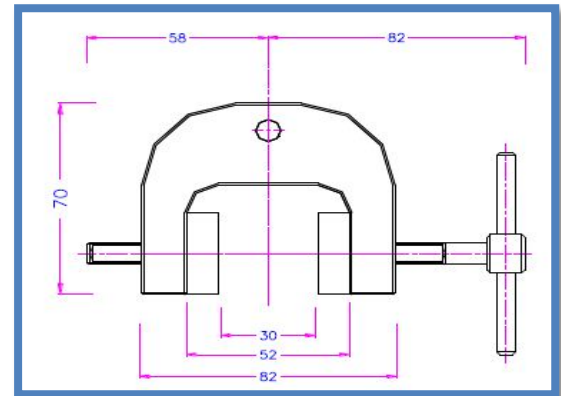
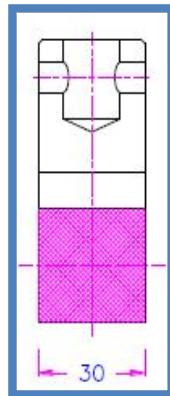
Temperature range 0 – to +180° C

Pneumatic versions available

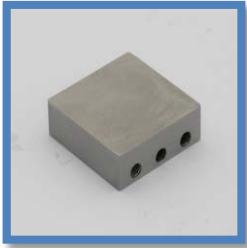
Part Number	Description	Quantity	Weight	Rating	Fixing
01/4236	Vice grip, 0 – 30mm opening without faces	Pair	320g	1kN	5/8 inch

## Face Options

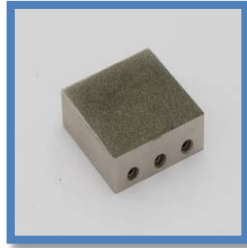
Part Number	Description	Quantity	Rating	Weight
01/4238	30mm x 30mm plain jaw faces	Set of 4	2.5kN	130g
01/4239	30mm x 30mm rubber jaw faces	Set of 4	2.5kN	130g
01/4240	30mm x 30mm crosscut jaw faces	Set of 4	2.5kN	120g
01/4241	30mm x 30mm V-notch jaw faces samples 2mm – 30mm diameter	Set of 4	2.5kN	120g
01/4242	30mm x 30mm V-notch jaw faces samples 3mm – 30mm diameter	Set of 4	2.5kN	130g
01/4243	30mm x 30mm wave jaw faces	Set of 4	2.5kN	120g
01/4244	30mm x 30mm diamond jaw faces	Set of 4	2.5kN	130g
01/4245	30mm x 50mm plain jaw faces	Set of 4	2.5kN	220g
01/4246	30mm x 50mm rubber jaw faces	Set of 4	2.5kN	230g
01/4247	30mm x 50mm crosscut jaw faces	Set of 4	2.5kN	210g
01/4248	30mm x 50mm wave jaw faces	Set of 4	2.5kN	200g
01/4249	30mm x 50mm diamond jaw faces	Set of 4	2.5kN	220g
01/4250	30mm x 80mm plain jaw faces	Set of 4	2.5kN	360g
01/4251	30mm x 80mm rubber jaw faces	Set of 4	2.5kN	370g
01/4252	30mm x 80mm crosscut jaw faces	Set of 4	2.5kN	350g
01/4253	30mm x 80mm wave jaw faces	Set of 4	2.5kN	320g
01/4254	30mm x 80mm diamond jaw faces	Set of 4	2.5kN	360g
01/4255	30mm x 100mm plain jaw faces	Set of 4	2.5kN	450g
01/4256	30mm x 100mm rubber jaw faces	Set of 4	2.5kN	460g
01/4257	30mm x 100mm crosscut jaw faces	Set of 4	2.5kN	450g
01/4258	30mm x 100mm wave jaw faces	Set of 4	2.5kN	510g
01/4259	30mm x 100mm diamond jaw faces	Set of 4	2.5kN	450g
01/4260	Carrier quick fit backing to enable quick jaw face changes	Set of 2	2.5kN	120g
01/4261	30mm x 36mm plain jaw faces for use with 01/4260	Set of 4	2.5kN	50g
01/4262	30mm x 36mm rubber jaw faces for use with 01/4260	Set of 4	2.5kN	60g
01/4263	30mm x 36mm crosscut jaw faces for use with 01/4260	Set of 4	2.5kN	50g
01/4264	30mm x 36mm diamond jaw faces for use with 01/4260	Set of 4	2.5kN	50g



Face Options for 01/4236



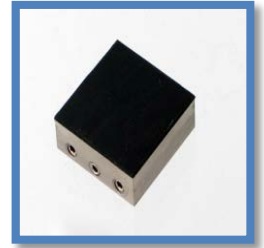
Plain Faces –steel  
Suitable for own treatment



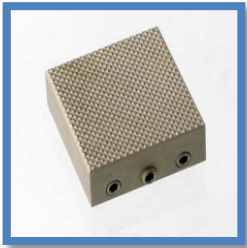
Diamond Faces  
Synthetic diamond coated



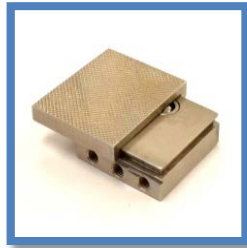
Wave Faces  
5mm wave  
Hardened steel 58HRC



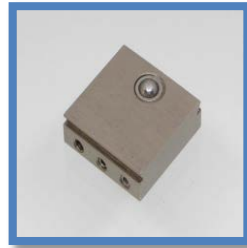
Rubber Faces  
1mm NBR rubber



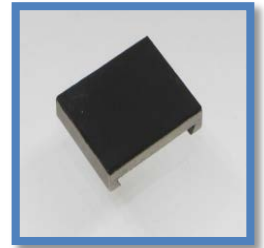
Crosscut Faces  
1.2 x 45° pitch  
Hardened steel 58 HRC



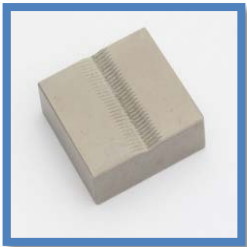
Carrier 01/4260  
Fitted with plain jaw



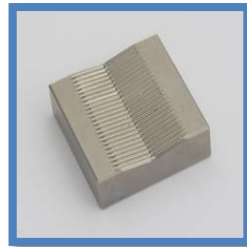
Carrier 01/4260



Rubber Faces  
1mm NBR rubber



V-notch Faces  
1.2mm pitch  
Tempered steel 58HRC



V-notch Faces  
1.2mm pitch  
Tempered steel 58HRC

# Vice Grips

## Manual operated vice grips

A vice grips with manual tightening action by T-Bar; grips are dual action and allow for offset sample alignment for shear testing

Ideal for all types of flat samples, rubber, plastic film, plastic dumbbells, paper and cardboard, sheet metal, foils, wood, fabrics and composites (depends on rating)

Aluminium

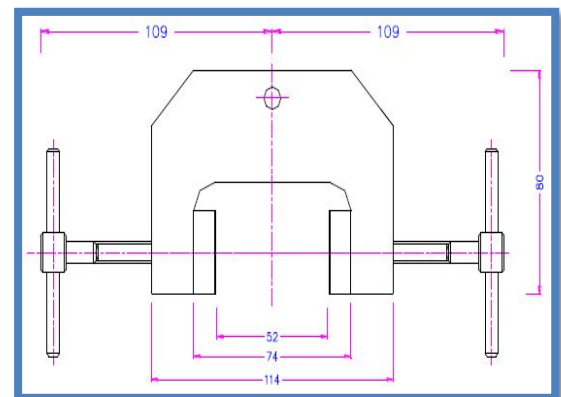
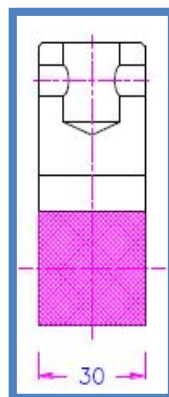
Temperature range 0 – to +180° C

Pneumatic versions available

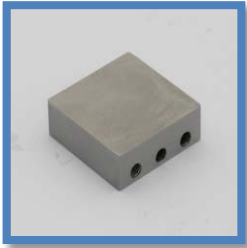
Part Number	Description	Quantity	Weight	Rating	Fixing
01/4237	Vice grip, 0 – 50mm opening without faces	Pair	570g	1kN	5/8 inch

### Face Options

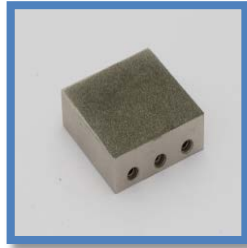
Part Number	Description	Quantity	Rating	Weight
01/4238	30mm x 30mm plain jaw faces	Set of 4	2.5kN	130g
01/4239	30mm x 30mm rubber jaw faces	Set of 4	2.5kN	130g
01/4240	30mm x 30mm crosscut jaw faces	Set of 4	2.5kN	120g
01/4241	30mm x 30mm V-notch jaw faces samples 2mm – 50mm diameter	Set of 4	2.5kN	120g
01/4242	30mm x 30mm V-notch jaw faces samples 3mm – 50mm diameter	Set of 4	2.5kN	130g
01/4243	30mm x 30mm wave jaw faces	Set of 4	2.5kN	120g
01/4244	30mm x 30mm diamond jaw faces	Set of 4	2.5kN	130g
01/4245	30mm x 50mm plain jaw faces	Set of 4	2.5kN	220g
01/4246	30mm x 50mm rubber jaw faces	Set of 4	2.5kN	230g
01/4247	30mm x 50mm crosscut jaw faces	Set of 4	2.5kN	210g
01/4248	30mm x 50mm wave jaw faces	Set of 4	2.5kN	200g
01/4249	30mm x 50mm diamond jaw faces	Set of 4	2.5kN	220g
01/4250	30mm x 80mm plain jaw faces	Set of 4	2.5kN	360g
01/4251	30mm x 80mm rubber jaw faces	Set of 4	2.5kN	370g
01/4252	30mm x 80mm crosscut jaw faces	Set of 4	2.5kN	350g
01/4253	30mm x 80mm wave jaw faces	Set of 4	2.5kN	320g
01/4254	30mm x 80mm diamond jaw faces	Set of 4	2.5kN	360g
01/4255	30mm x 100mm plain jaw faces	Set of 4	2.5kN	450g
01/4256	30mm x 100mm rubber jaw faces	Set of 4	2.5kN	460g
01/4257	30mm x 100mm crosscut jaw faces	Set of 4	2.5kN	450g
01/4258	30mm x 100mm wave jaw faces	Set of 4	2.5kN	510g
01/4259	30mm x 100mm diamond jaw faces	Set of 4	2.5kN	450g
01/4260	Carrier quick fit backing to enable quick jaw face changes	Set of 2	2.5kN	120g
01/4261	30mm x 36mm plain jaw faces for use with 01/4260	Set of 4	2.5kN	50g
01/4262	30mm x 36mm rubber jaw faces for use with 01/4260	Set of 4	2.5kN	60g
01/4263	30mm x 36mm crosscut jaw faces for use with 01/4260	Set of 4	2.5kN	50g
01/4264	30mm x 36mm diamond jaw faces for use with 01/4260	Set of 4	2.5kN	50g



Face Options for 01/4237



Plain Faces –steel  
Suitable for own treatment



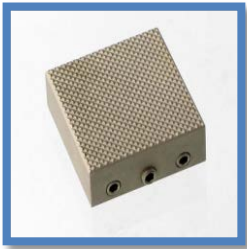
Diamond Faces  
Synthetic diamond coated



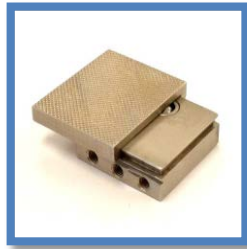
Wave Faces  
5mm wave  
Hardened steel 58HRC



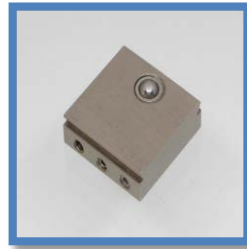
Rubber Faces  
1mm NBR rubber



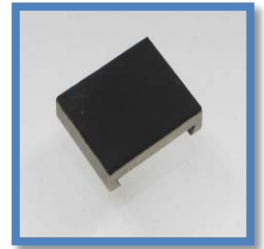
Crosscut Faces  
1.2 x 45° pitch  
Hardened steel 58 HRC



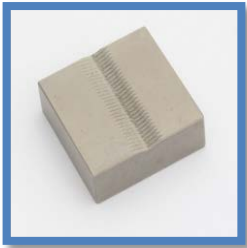
Carrier 01/4260  
Fitted with plain jaw



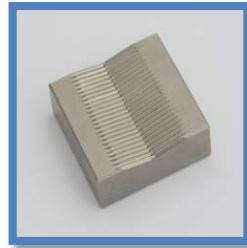
Carrier 01/4260



Rubber Faces  
1mm NBR rubber



V-notch Faces  
1.2mm pitch  
Tempered steel 58HRC



V-notch Faces  
1.2mm pitch  
Tempered steel 58HRC

## Manual operated vice grips

A vice grip with manual tightening action by T-bar, grip is dual action and allows for offset sample alignment for shear testing

Ideal for all types of samples, rubber, plastic film, plastic dumbbells, paper and cardboard, sheet metal, foils, wood, fabrics and composites (depends on rating)

Aluminium

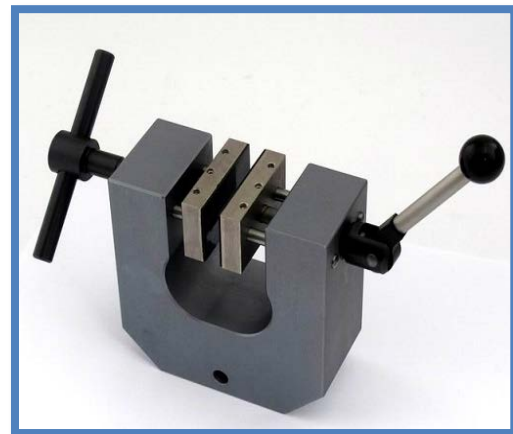
Temperature range 0 – to +180° C

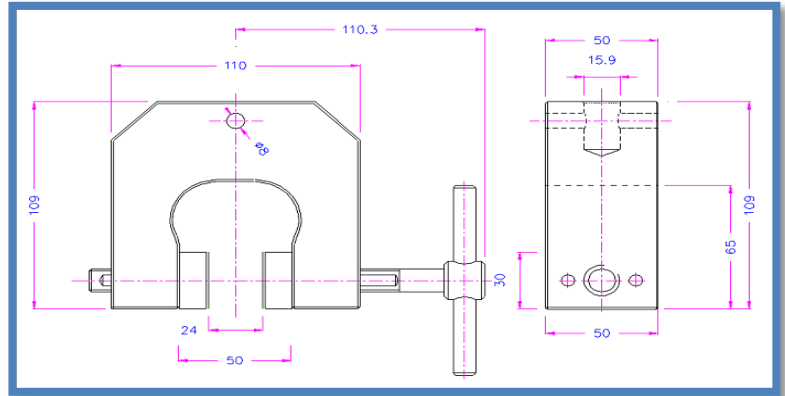
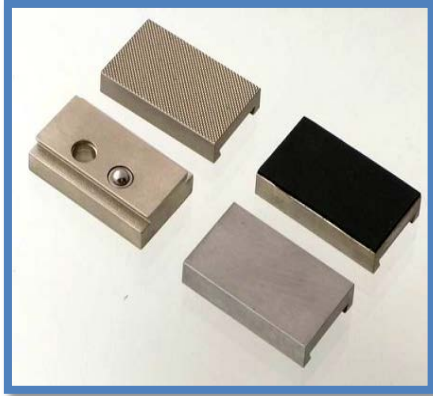
Pneumatic versions available

Part Number	Description	Quantity	Weight	Rating	Fixing
01/4265	Vice grip, 0 – 24mm opening, without faces	Pair	1.3Kg	5kN	5/8 inch

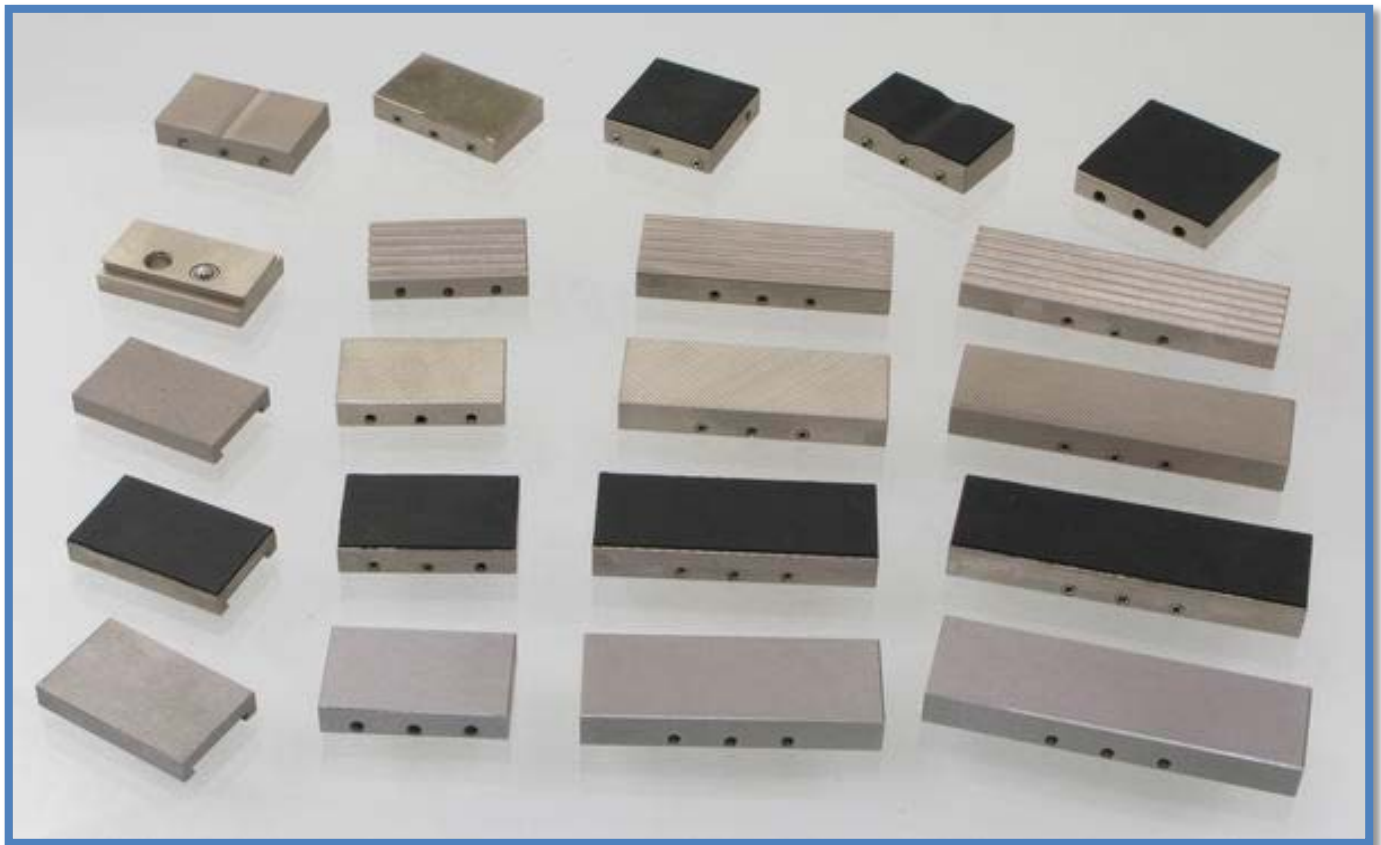
## Face Options

Part Number	Description	Quantity	Rating	Weight	Opening
01/4268	Quick release lever for 01/4265	Single	5kN		
01/4269	30mm x 50mm plain jaw faces	Set of 4	5kN	220g	0-30mm
01/4270	30mm x 50mm rubber jaw faces	Set of 4	5kN	220g	0-28mm
01/4271	30mm x 50mm crosscut jaw faces	Set of 4	5kN	210g	0-30mm
01/4272	30mm x 50mm wave jaw faces	Set of 4	5kN	200g	0-30mm
01/4273	30mm x 50mm V-notch jaw faces	Set of 4	5kN	220g	Ø 2-50mm
01/4274	30mm x 50mm V-notch jaw faces	Set of 4	5kN	250g	Ø 5-50mm
01/4275	30mm x 50mm diamond jaw faces	Set of 4	5kN	220g	0-30mm
01/4276	30mm x 80mm plain jaw faces	Set of 4	5kN	430g	0-26mm
01/4277	30mm x 80mm rubber jaw faces	Set of 4	5kN	440g	0-24mm
01/4278	30mm x 80mm crosscut jaw faces	Set of 4	5kN	420g	0-26mm
01/4279	30mm x 80mm wave jaw faces	Set of 4	5kN	390g	0-26mm
01/4280	30mm x 80mm diamond jaw faces	Set of 4	5kN	430g	0-26mm
01/4281	30mm x 100mm plain jaw faces	Set of 4	5kN	540g	0-26mm
01/4282	30mm x 100mm rubber jaw faces	Set of 4	5kN	550g	0-24mm
01/4283	30mm x 100mm crosscut jaw faces	Set of 4	5kN	530g	0-26mm
01/4284	30mm x 100mm wave jaw faces	Set of 4	5kN	510g	0-26mm
01/4285	30mm x 100mm diamond jaw faces	Set of 4	5kN	540g	0-26mm
01/4286	Carrier quick fit backing to enable quick jaw face changes	Set of 4	5kN	180g	
01/4287	30mm x 50mm plain jaw faces for use with 01/4286	Set of 4	5kN	140g	0-20mm
01/4288	30mm x 50mm rubber jaw faces for use with 01/4286	Set of 4	5kN	140g	0-18mm
01/4289	30mm x 50mm crosscut jaw faces for use with 01/4286	Set of 4	5kN	130g	0-20mm
01/4290	30mm x 50mm diamond jaw faces for use with 01/4286	Set of 4	5kN	140g	0-20mm





01/4286 Carrier Jaw Set



## Manual operated vice grips

A vice grip with manual tightening action by T-bar, grip is dual action and allows for offset sample alignment for shear testing

Ideal for all types of samples, rubber, plastic film, plastic dumbbells, paper and cardboard, sheet metal, foils, wood, fabrics and composites (depends on rating)

Aluminium

Temperature range 0 – to +180° C

Pneumatic versions available

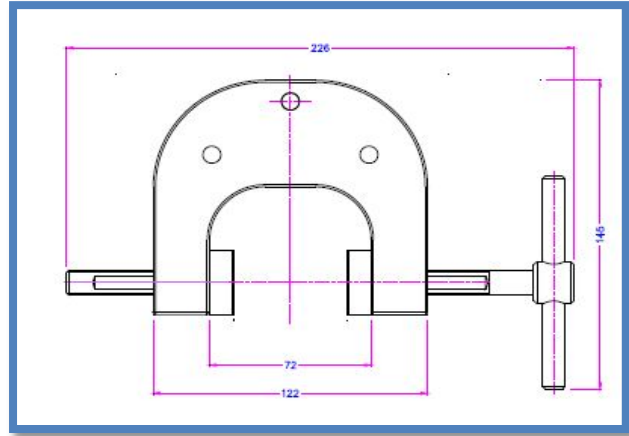
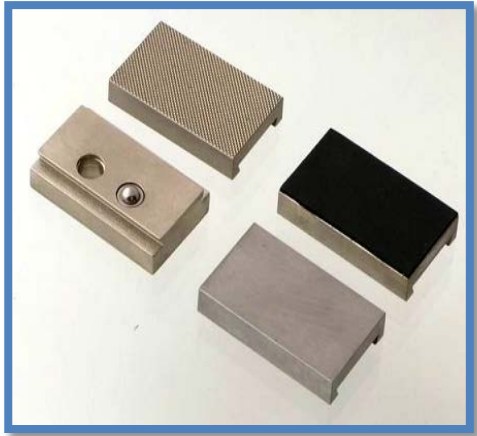
Part Number	Description	Quantity	Weight	Rating	Fixing
01/4266	Vice grip, 0 – 50mm opening, without faces	Pair	1.3kg	5kN	5/8 inch

### Face Options

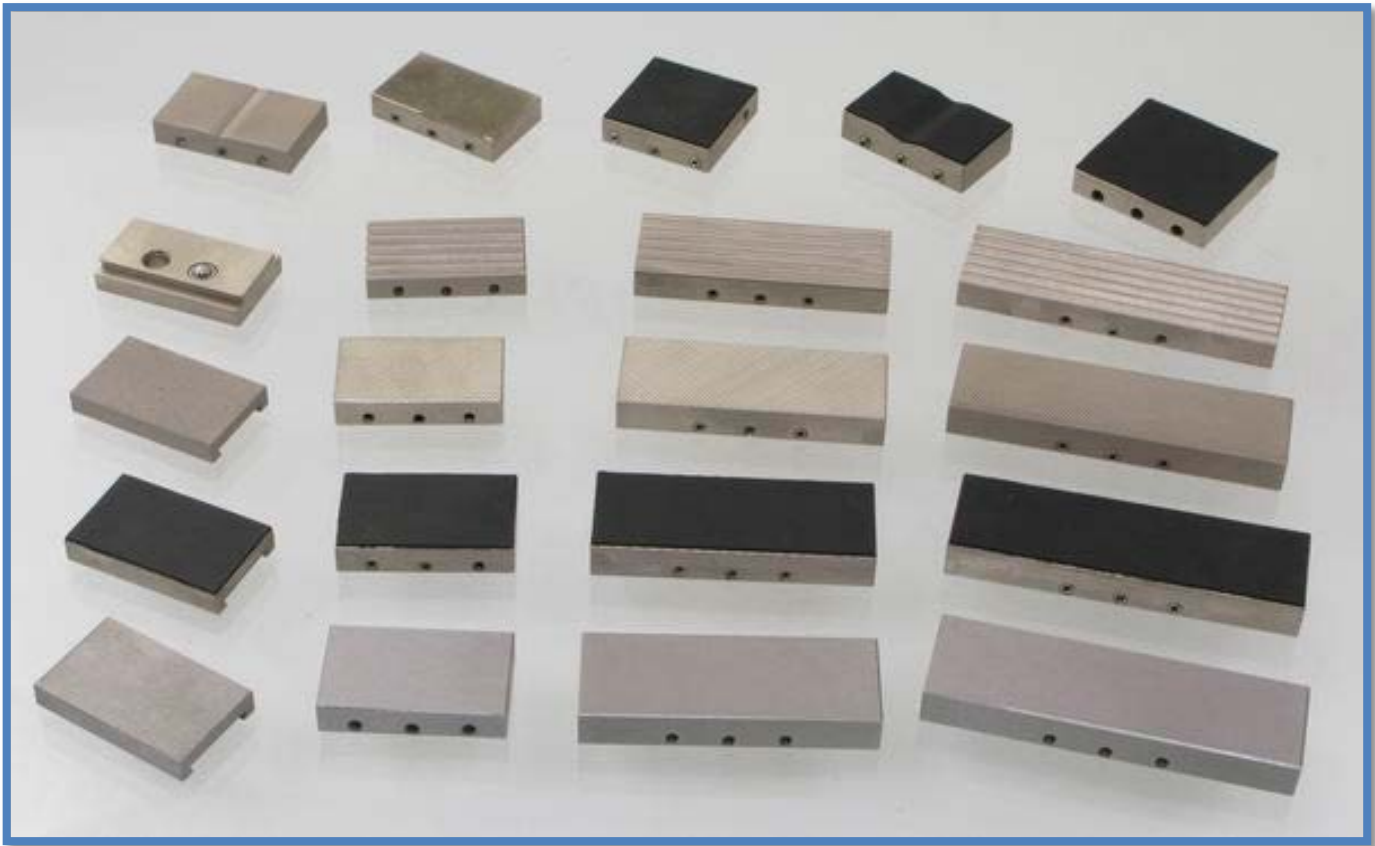
Part Number	Description	Quantity	Rating	Weight	Opening
01/4268	Quick release lever	Single	5kN		
01/4269	30mm x 50mm plain jaw faces	Set of 4	5kN	220g	0-50mm
01/4270	30mm x 50mm rubber jaw faces	Set of 4	5kN	220g	0-50mm
01/4271	30mm x 50mm crosscut jaw faces	Set of 4	5kN	210g	0-50mm
01/4272	30mm x 50mm wave jaw faces	Set of 4	5kN	200g	0-50mm
01/4273	30mm x 50mm V-notch jaw faces	Set of 4	5kN	220g	Ø 2-50mm
01/4274	30mm x 50mm V-notch jaw faces	Set of 4	5kN	250g	Ø 5-50mm
01/4275	30mm x 50mm diamond jaw faces	Set of 4	5kN	220g	0-50mm
01/4276	30mm x 80mm plain jaw faces	Set of 4	5kN	430g	0-48mm
01/4277	30mm x 80mm rubber jaw faces	Set of 4	5kN	440g	0-46mm
01/4278	30mm x 80mm crosscut jaw faces	Set of 4	5kN	420g	0-48mm
01/4279	30mm x 80mm wave jaw faces	Set of 4	5kN	390g	0-48mm
01/4280	30mm x 80mm diamond jaw faces	Set of 4	5kN	430g	0-48mm
01/4281	30mm x 100mm plain jaw faces	Set of 4	5kN	540g	0-48mm
01/4282	30mm x 100mm rubber jaw faces	Set of 4	5kN	550g	0-46mm
01/4283	30mm x 100mm crosscut jaw faces	Set of 4	5kN	530g	0-48mm
01/4284	30mm x 100mm wave jaw faces	Set of 4	5kN	510g	0-48mm
01/4285	30mm x 100mm diamond jaw faces	Set of 4	5kN	540g	0-48mm
01/4286	Carrier quick fit backing to enable quick jaw face changes	Set of 4	5kN	180g	
01/4287	30mm x 50mm plain jaw faces for use with 01/4286	Set of 4	5kN	140g	0-30mm
01/4288	30mm x 50mm rubber jaw faces for use with 01/4286	Set of 4	5kN	140g	0-30mm
01/4289	30mm x 50mm crosscut jaw faces for use with 01/4286	Set of 4	5kN	130g	0-30mm
01/4290	30mm x 50mm diamond jaw faces for use with 01/4286	Set of 4	5kN	140g	0-30mm

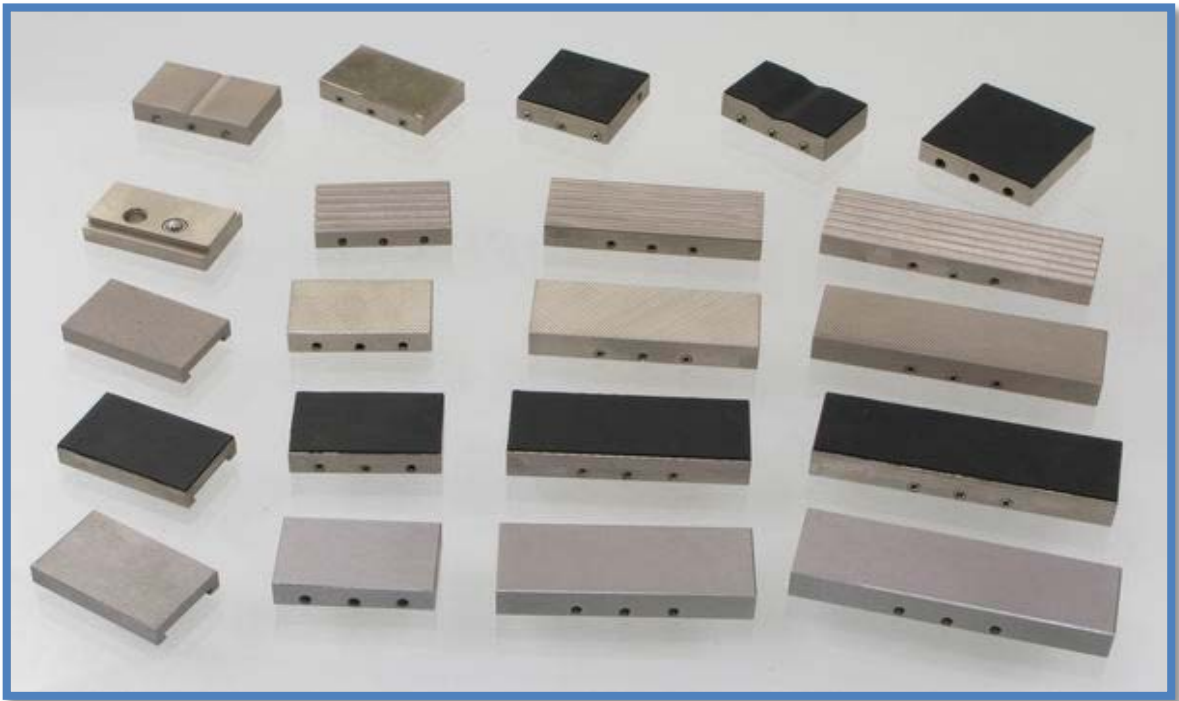






01/4287 Carrier Jaw Set





# Vice Grips

## Manual operated vice grips

A vice grip with manual tightening action by T-bar, grip is dual action and allows for offset sample alignment for shear testing. The opening of this grip makes it suitable for very large samples the faces are fitted to guides to enable the large opening

Ideal for all types of samples, rubber, plastic film, plastic dumbbells, paper and cardboard, sheet metal, foils, wood, fabrics and composites (depends on rating)

Aluminium

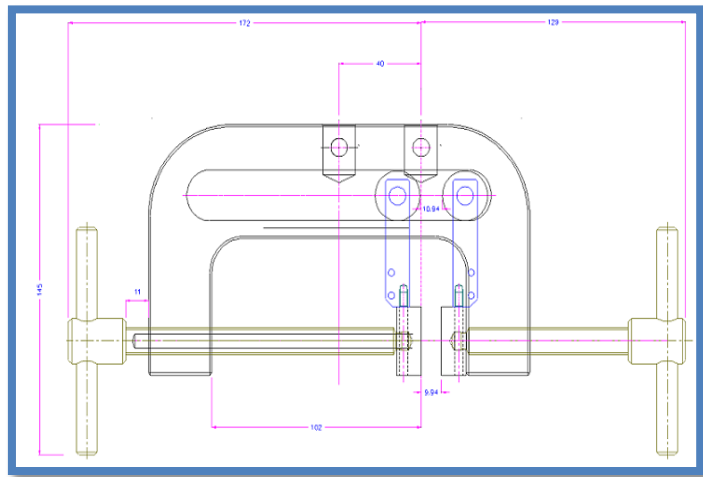
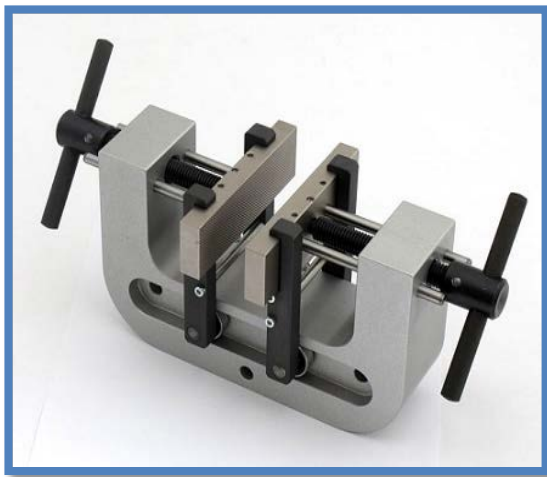
Temperature range 0 – to +180° C

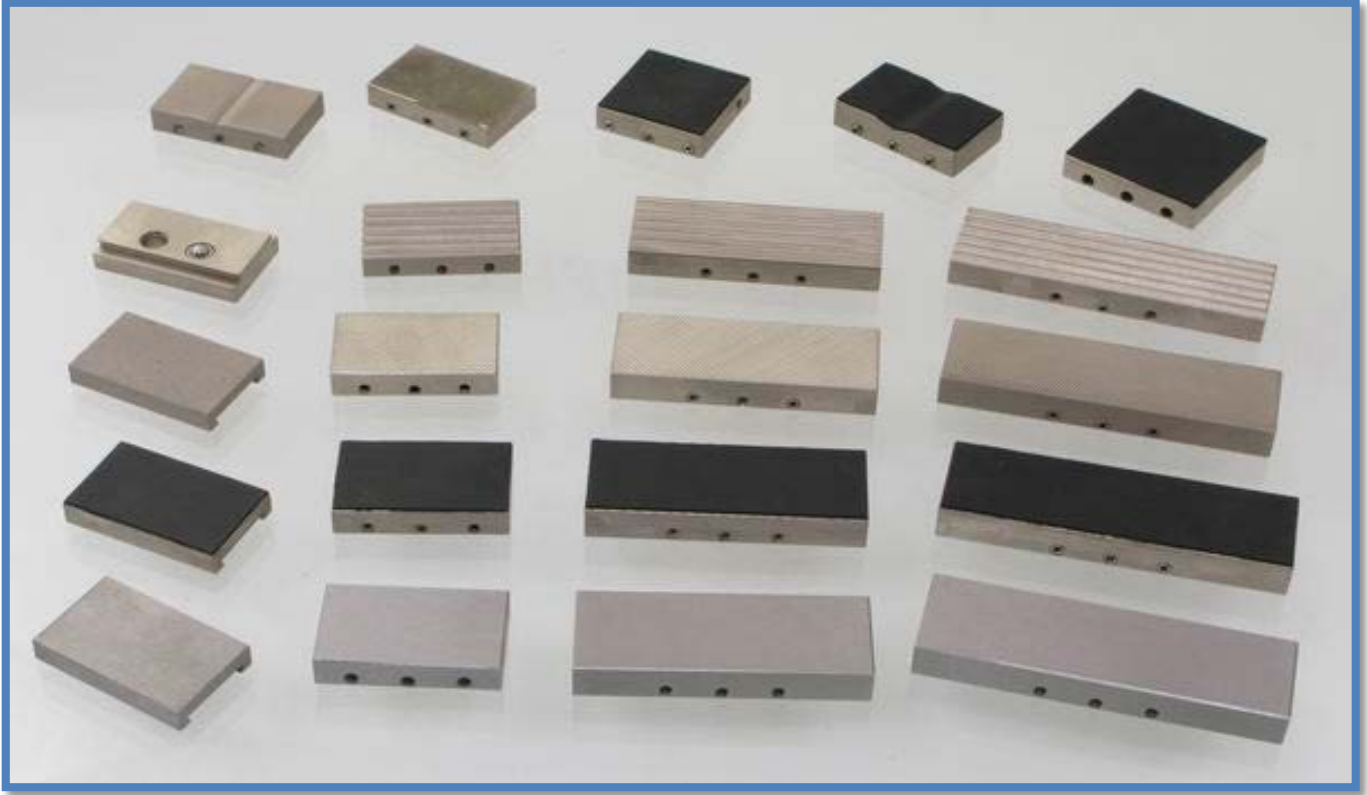
Pneumatic versions available

Part Number	Description	Quantity	Weight	Rating	Fixing
01/4267	Vice grip, 0 – 100mm opening, without faces	Pair	2.22kg	5kN	5/8 inch

## Face Options

Part Number	Description	Quantity	Rating	Weight	Opening
01/4276	30mm x 80mm plain jaw faces	Set of 4	5kN	430g	10-100mm
01/4277	30mm x 80mm rubber jaw faces	Set of 4	5kN	440g	8-98mm
01/4278	30mm x 80mm crosscut jaw faces	Set of 4	5kN	420g	10-100mm
01/4279	30mm x 80mm wave jaw faces	Set of 4	5kN	390g	10-100mm
01/4280	30mm x 80mm diamond jaw faces	Set of 4	5kN	430g	10-100mm
01/4281	30mm x 100mm plain jaw faces	Set of 4	5kN	540g	10-100mm
01/4282	30mm x 100mm rubber jaw faces	Set of 4	5kN	550g	8-98mm
01/4283	30mm x 100mm crosscut jaw faces	Set of 4	5kN	530g	10-100mm
01/4284	30mm x 100mm wave jaw faces	Set of 4	5kN	510g	10-100mm
01/4285	30mm x 100mm diamond jaw faces	Set of 4	5kN	540g	10-100mm





## Manual operated vice grips

A vice grip with manual tightening action either by thumb screw or T-bar, grips are dual action and allow for offset sample alignment for shear testing

Ideal for all types of flat samples, rubber, plastic film, plastic dumbbells, paper and cardboard, sheet metal, foils, wood, fabrics and composites (depends on rating)

Aluminium anodized

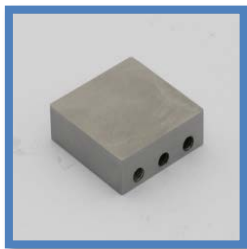
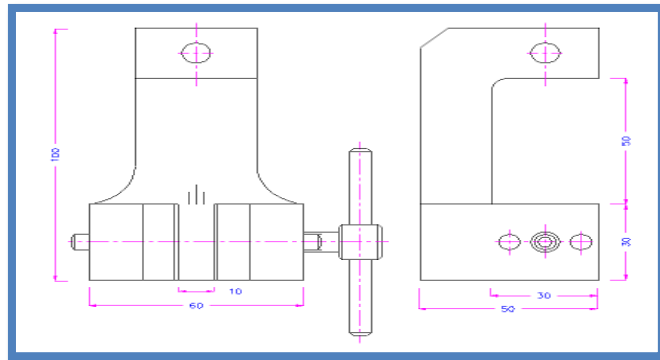
Temperature range 0 – to +180° C

Pneumatic versions available

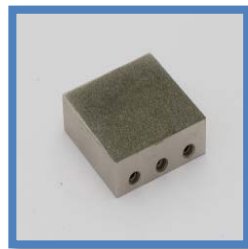
Part Number	Description	Quantity	Weight	Rating	Fixing
01/4291	Vice grip, 0 – 10mm opening without faces	Pair	390g	1kN	5/8 inch

## Face Options

Part Number	Description	Opening	Quantity	Rating	Weight
01/4292	30mm x 30mm, plain jaw faces	0-10mm	Set of 4	1kN	130g
01/4293	30mm x 30mm, rubber jaw faces	0-8mm	Set of 4	1kN	130g
01/4294	30mm x 30mm, crosscut jaw faces	0-10mm	Set of 4	1kN	120g
01/4295	30mm x 30mm, V-notch jaw faces	Ø 2-10mm	Set of 4	1kN	130g
01/4296	30mm x 30mm, V-notch jaw faces	Ø 3-10mm	Set of 4	1kN	130g
01/4297	30mm x 30mm, wave jaw faces	0-10mm	Set of 4	1kN	120g
01/4298	30mm x 30mm, diamond jaw faces	0-10mm	Set of 4	1kN	130g
01/4299	Carrier quick fit backing to enable quick jaw face changes		Set of 4	1kN	120g
01/4300	30mm x 36mm, plain faces for use with 01/4299	0-4mm	Set of 4	1kN	60g
01/4301	30mm x 36mm, rubber faces for use with 01/4299	0-2mm	Set of 4	1kN	60g
01/4302	30mm x 36mm, crosscut faces for use with 01/4299	0-4mm	Set of 4	1kN	60g
01/4303	30mm x 36mm, diamond faces for use with 01/4299	0-4mm	Set of 4	1kN	60g



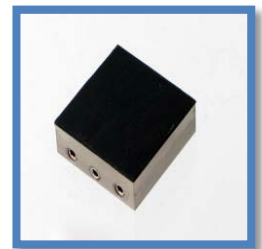
Plain Faces –steel  
Suitable for own treatment



Diamond Faces  
Synthetic diamond coated



Wave Faces  
5mm wave  
Hardened steel 58HRC



Rubber Faces  
1mm NBR rubber

# Vice Grips

## Manual operated vice grips

A of vice grip with manual tightening action either by thumb screw or T-bar, grips are dual action and allow for offset sample alignment for shear testing

Ideal for all types of flat samples, rubber, plastic film, plastic dumbbells, paper and cardboard, sheet metal, foils, wood, fabrics and composites (depends on rating)

Aluminium anodized

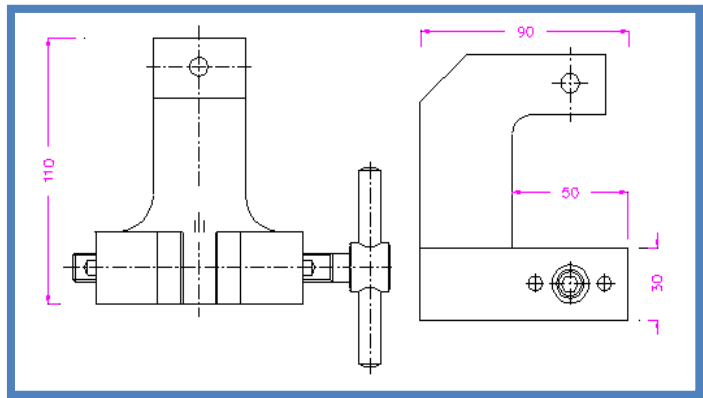
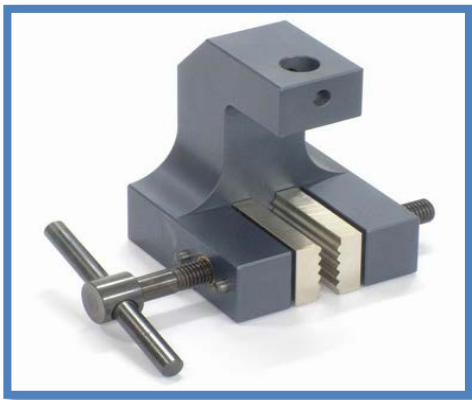
Temperature range 0 – to +180° C

Pneumatic versions available

Part Number	Description	Quantity	Weight	Rating	Fixing
01/4304	Vice grip, 0 – 15mm opening without faces	Pair	1.7kg	5kN	5/8 inch

### Face Options

Part Number	Description	Opening	Quantity	Rating	Weight
01/4305	Quick release lever for	N/A	Single	5kN	N/A
01/4306	30mm x 50mm, plain jaw faces	0-15mm	Set of 4	5kN	220g
01/4307	30mm x 50mm, rubber jaw faces	0-13mm	Set of 4	5kN	220g
01/4308	30mm x 50mm, crosscut jaw faces	0-15mm	Set of 4	5kN	210g
01/4309	30mm x 50mm, V-notch jaw faces	Ø 2-15mm	Set of 4	5kN	220g
01/4310	30mm x 50mm, V-notch jaw faces	Ø 5-11mm	Set of 4	5kN	260g
01/4311	30mm x 50mm, wave jaw faces	0-15mm	Set of 4	5kN	200g
01/4312	30mm x 50mm, diamond jaw faces	0-15mm	Set of 4	5kN	220g
01/4313	Carrier quick fit backing to enable quick jaw face changes		Set of 4	5kN	180g
01/4314	30mm x 50mm, plain faces for use with 01/4313	0-5mm	Set of 4	5kN	140g
01/4315	30mm x 50mm, rubber faces for use with 01/4313	0-3mm	Set of 4	5kN	140g
01/4316	30mm x 50mm, crosscut faces for use with 01/4313	0-5mm	Set of 4	5kN	130g
01/4317	30mm x 50mm, diamond faces for use with 01/4313	0-5mm	Set of 4	5kN	140g



# Vice Grips

## Manual operated vice grips

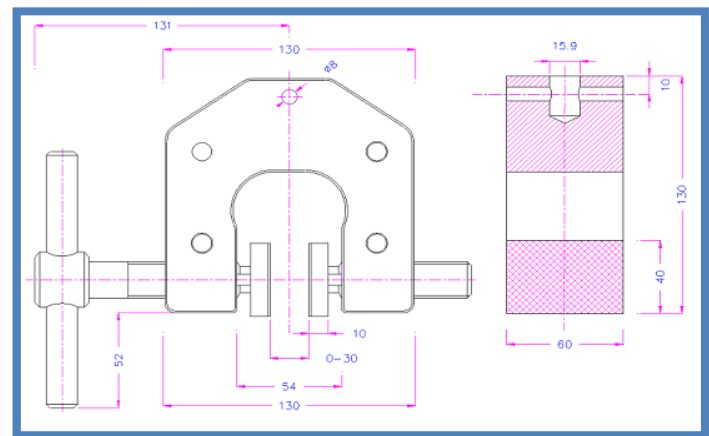
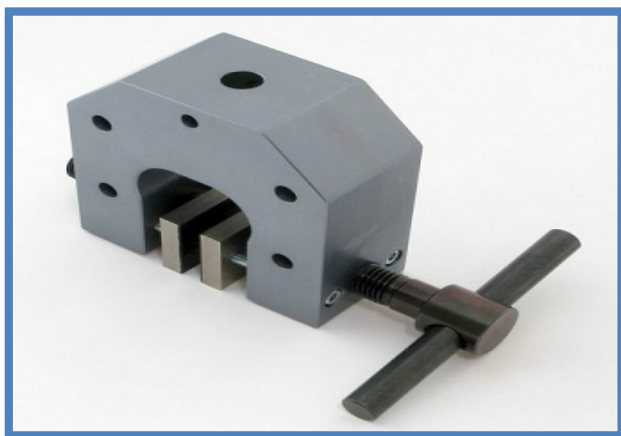
A vice grip with manual tightening action either by thumb screw or T-bar, grips are single action or dual action and allow for offset sample alignment for shear testing  
Ideal for all types of flat samples, rubber, plastic film, plastic dumbbells, paper and cardboard, sheet metal, foils, wood, fabrics and composites (depends on rating)

Aluminium anodized  
Temperature range 0 – to +180° C

Part Number	Description	Quantity	Weight	Rating	Fixing
01/4318	Vice grip, without faces, aluminum	Pair	2.36kg	10kN	5/8 inch

## Face Options

Part Number	Description	Opening	Quantity	Rating	Weight
01/4320	40mm x 60mm, plain jaw faces	0-34mm	Set of 4	20kN	350g
01/4321	40mm x 60mm, rubber jaw faces	0-32mm	Set of 4	20kN	360g
01/4322	40mm x 60mm, crosscut jaw faces	0-34mm	Set of 4	20kN	330g
01/4323	40mm x 60mm, V-notch jaw faces, 40mm clamp surface	4-30mm Ø	Set of 4	20kN	350g
01/4324	40mm x 60mm, V-notch jaw faces, 40mm clamp surface	8-34mm Ø	Set of 4	20kN	320g
01/4325	40mm x 60mm, wave jaw faces	0-34mm	Set of 4	20kN	320g
01/4326	40mm x 60mm, diamond jaw faces	0-34mm	Set of 4	20kN	350g
01/4327	40mm x 100mm, plain jaw faces	0-30mm	Set of 4	20kN	720g
01/4328	40mm x 100mm, rubber jaw faces	0-28mm	Set of 4	20kN	740g
01/4329	40mm x 100mm, crosscut jaw faces	0-30mm	Set of 4	20kN	690g
01/4330	40mm x 100mm, wave jaw faces	0-30mm	Set of 4	20kN	660g
01/4331	40mm x 100mm, diamond jaw faces	0-30mm	Set of 4	20kN	720g
01/4332	40mm x 200mm, wave jaw faces	0-22mm	Set of 4	20kN	3kg
01/4333	Carrier quick fit backing to enable jaw face changes 50x60		Set of 4	20kN	330g
01/4334	40mm x 60mm, plain jaw faces, for use with 01/4333	0-22mm	Set of 4	20kN	290g
01/4335	40mm x 60mm, rubber jaw faces, for use with 01/4333	0-22mm	Set of 4	20kN	300g
01/4336	40mm x 60mm, crosscut jaw faces, for use with 01/4333	0-24mm	Set of 4	20kN	280g
01/4337	40mm x 60mm, wave jaw faces, for use with 01/4333	0-24mm	Set of 4	20kN	260g
01/4338	40mm x 60mm, diamond jaw faces, for use with 01/4333	0-24mm	Set of 4	20kN	290g
01/4339	Carrier quick fit backing to enable jaw face changes 50x100		Set of 4	20kN	690g
01/4340	40mm x 100mm, plain jaw faces, for use with 01/4339	0-16mm	Set of 4	20kN	630g
01/4341	40mm x 100mm, rubber jaw faces, for use with 01/4339	0-14mm	Set of 4	20kN	650g
01/4342	40mm x 100mm, crosscut jaw faces, for use with 01/4339	0-16mm	Set of 4	20kN	600g
01/4343	40mm x 100mm, wave jaw faces, for use with 01/4339	0-16mm	Set of 4	20kN	570g
01/4344	40mm x 100mm, diamond jaw faces, for use with 01/4339	0-16mm	Set of 4	20kN	630g



# Vice Grips

## Manual operated vice grips

A vice grip with manual tightening action either by thumb screw or T-bar, grips are dual action and allow for offset sample alignment for shear testing

Ideal for all types of flat samples, rubber, plastic film, plastic dumbbells, paper and cardboard, sheet metal, foils, wood, fabrics and composites (depends on rating)

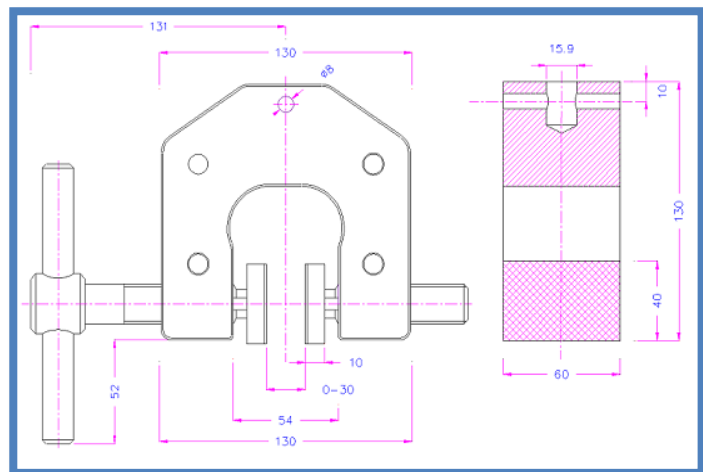
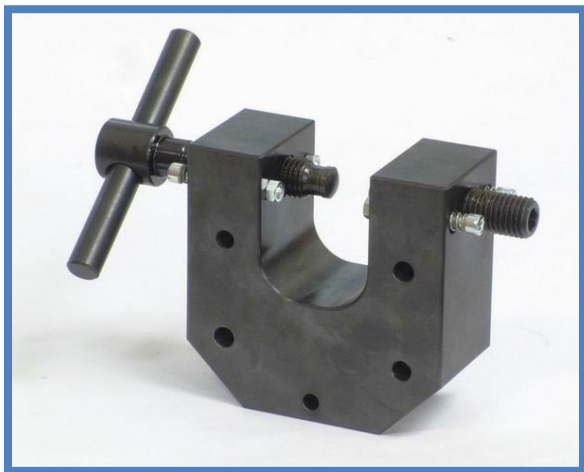
Steel, manganese phosphate

Possible Temperature range 0 – to +350°C

Part Number	Description	Quantity	Weight	Rating	Fixing
01/4319	Vice grip, without faces, steel	Pair	5kg	20kN	5/8 inch

### Face Options

Part Number	Description	Opening	Quantity	Rating	Weight
01/4320	40mm x 60mm, plain jaw faces	0-34mm	Set of 4	20kN	350g
01/4321	40mm x 60mm, rubber jaw faces	0-32mm	Set of 4	20kN	360g
01/4322	40mm x 60mm, crosscut jaw faces	0-34mm	Set of 4	20kN	330g
01/4323	40mm x 60mm, V-notch jaw faces, 40mm clamp surface	4-30mm Ø	Set of 4	20kN	350g
01/4324	40mm x 60mm, V-notch jaw faces, 40mm clamp surface	8-34mm Ø	Set of 4	20kN	320g
01/4325	40mm x 60mm, wave jaw faces	0-34mm	Set of 4	20kN	320g
01/4326	40mm x 60mm, diamond jaw faces	0-34mm	Set of 4	20kN	350g
01/4327	40mm x 100mm, plain jaw faces	0-30mm	Set of 4	20kN	720g
01/4328	40mm x 100mm, rubber jaw faces	0-28mm	Set of 4	20kN	740g
01/4329	40mm x 100mm, crosscut jaw faces	0-30mm	Set of 4	20kN	690g
01/4330	40mm x 100mm, wave jaw faces	0-30mm	Set of 4	20kN	660g
01/4331	40mm x 100mm, diamond jaw faces	0-30mm	Set of 4	20kN	720g
01/4332	40mm x 200mm, wave jaw faces	0-22mm	Set of 4	20kN	3kg
01/4333	Carrier quick fit backing to enable jaw face changes 50x60		Set of 4	20kN	330g
01/4334	40mm x 60mm, plain jaw faces, for use with 01/4333	0-22mm	Set of 4	20kN	290g
01/4335	40mm x 60mm, rubber jaw faces, for use with 01/4333	0-22mm	Set of 4	20kN	300g
01/4336	40mm x 60mm, crosscut jaw faces, for use with 01/4333	0-24mm	Set of 4	20kN	280g
01/4337	40mm x 60mm, wave jaw faces, for use with 01/4333	0-24mm	Set of 4	20kN	260g
01/4338	40mm x 60mm, diamond jaw faces, for use with 01/4333	0-24mm	Set of 4	20kN	290g
01/4339	Carrier quick fit backing to enable jaw face changes 50x100		Set of 4	20kN	690g
01/4340	40mm x 100mm, plain jaw faces, for use with 01/4339	0-16mm	Set of 4	20kN	630g
01/4341	40mm x 100mm, rubber jaw faces, for use with 01/4339	0-14mm	Set of 4	20kN	650g
01/4342	40mm x 100mm, crosscut jaw faces, for use with 01/4339	0-16mm	Set of 4	20kN	600g
01/4343	40mm x 100mm, wave jaw faces, for use with 01/4339	0-16mm	Set of 4	20kN	570g
01/4344	40mm x 100mm, diamond jaw faces, for use with 01/4339	0-16mm	Set of 4	20kN	630g





# Vice Grips

## Manual operated vice grips

A heavy duty vice grip with manual tightening recommended using a spanner or wrench, grips are dual action and allow for offset sample alignment for shear testing

Ideal for all types of flat samples, rubber, plastic film, plastic dumbbells, paper and cardboard, sheet metal, foils, wood, fabrics and composites (depends on rating)

Grip faces allow for sample alignment devices to be fitted

Steel, manganese phosphate

Temperature range 0 – to +180° C

Part Number	Description	Quantity	Weight	Rating	Fixing
01/4345	Vice grip, without faces	Pair	12kg	50kN	1 ¼ inch

### Face Options

Part Number	Description	Opening	Quantity	Rating	Weight
01/4346	60mm x 66mm, plain jaw faces	0-30mm	Set of 4	50kN	1.2kg
01/4347	60mm x 66mm, crosscut jaw faces	0-30mm	Set of 4	50kN	1.1kg
01/4348	60mm x 66mm, V-notch jaw faces	5-30mm Ø	Set of 4	50kN	1.1kg
01/4349	60mm x 66mm, wave jaw faces	0-30mm	Set of 4	50kN	1.1kg
01/4350	60mm x 66mm, diamond jaw faces	0-30mm	Set of 4	50kN	1.1kg
01/4351	70mm x 210mm, plain jaw faces	0-10mm	Set of 4	50kN	6.6kg
01/4352	70mm x 210mm, crosscut jaw faces	0-10mm	Set of 4	50kN	6.6kg
01/4353	70mm x 210mm, wave jaw faces	0-10mm	Set of 4	50kN	6.4kg

